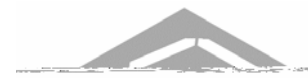


1.5" Single Digit Common Cathode Configuration

VP M71CG

Main Features:

- Low Power Consumption
- High Efficiency Chips Material
- Excellent Character Appearance
- Long Life Solid State Reliability
- Common Cathode configuration
- Gray color surface reflector with white diffuse segments




Applications

- Industry equipment
- Instruments panels
- Counter equipment



Electronic Optical Characteristics (@ 10mA):

Part Number	Emitted Color	nm		Surface Color	mcd (Per segment)		VF	
		λd	λp		Min.	Typ.	Typ.	Max.
VP M71CG	Red 	624	632	Gray	7.1	18.0	2.0	2.4

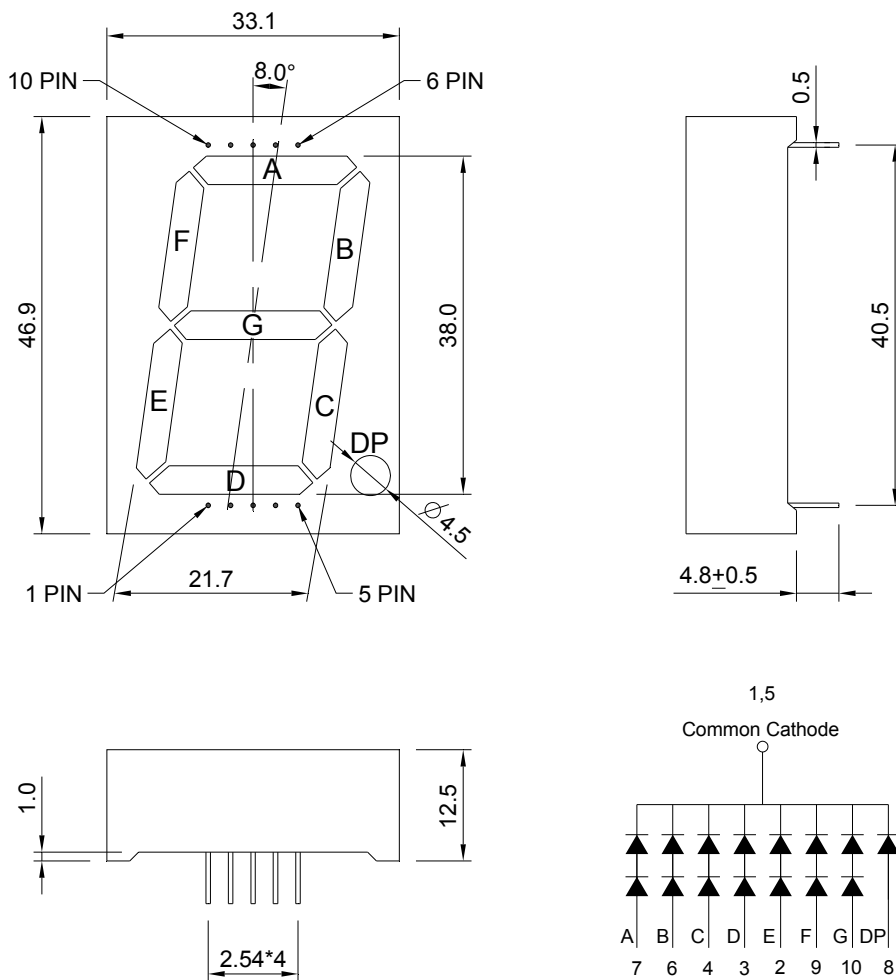
Absolute Maximum Ratings (@ Ta=25°C)

Emitted Color	P _D (mW)	ESD(V)	I _F (mA)	T _{sol} (°C)	I _R (μ A)@V _R =5V	T _{opr} (°C)	T _{stg} (°C)
Red (624nm)	60	2000	25	260 \pm 5	10	-40~+85	-40~+100

Note: Please take note the Absolute Maximum Rating values. Any operation beyond the specified ratings in this table will result degradation of LED life-span and may cause LED to fail.

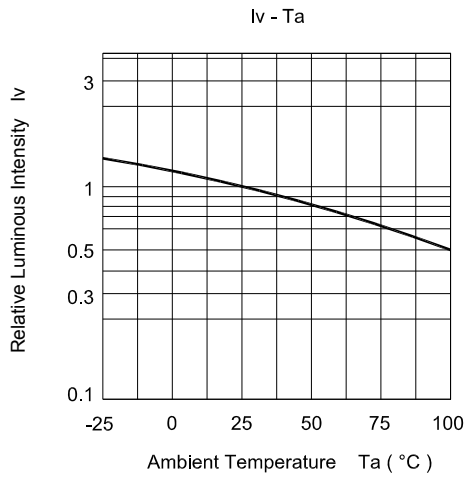
Package Dimension:

unit: mm


Notes:

1. All dimensions are millimeters.
2. Dimensional tolerance is ± 0.2 mm unless otherwise specified.
3. Specifications are subject to change without notice.

Optical Characteristics Curves



1

tp - Pulse Du

