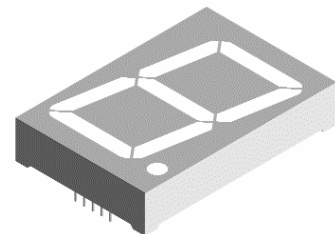


## 1.8" Single Digit Common Anode Configuration

### VP T71AG

#### Main Features:

- Low Power Consumption
- High Efficiency Chips Material
- Excellent Character Appearance
- Long Life Solid State Reliability
- Common Anode configuration
- Gray color surface reflector with white diffuse segments




#### Applications

- Industry equipment
- Instruments panels
- Counter equipment



#### Electronic Optical Characteristics (@ 10mA):

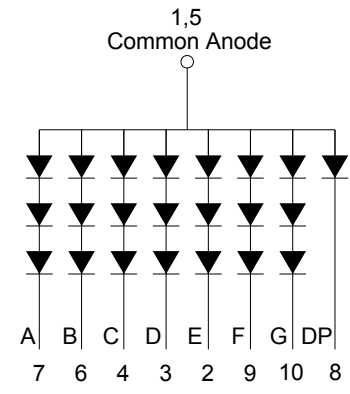
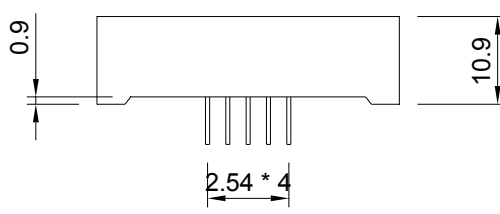
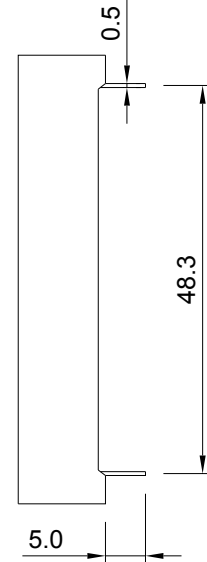
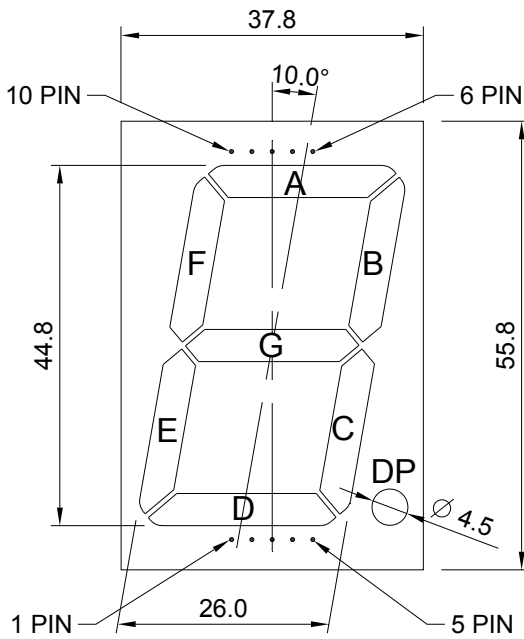
Part Number	Emitted Color	nm		Surface Color	mcd ( Per segment)		VF	
		d	p		Min.	Typ.	Typ.	Max.
VP T71AG	Red 	624	632	Gray	11.2	22.4	2.0	2.4

#### Absolute Maximum Ratings (@ Ta=25 °C)

Emitted Color    P<sub>D</sub>(mW)    ESD(V)    I<sub>F</sub> (mA)    T<sub>sol</sub>( °C)    I<sub>R</sub>(uA)@V<sub>R</sub>=5V    Topr( °C)

**Package Dimension:**

unit: mm



**Notes:**

1. All dimensions are millimeters.
2. Dimensional tolerance is +/- 0.2mm unless otherwise specified.
3. Specifications are subject to change without notice.

## Optical Characteristics Curves

