

## 3mm Round Bi-Color LED Non-Polarity

### VT 3LH7

#### Description

The VT 3LH7 is 3mm round without polarity Bi-Color with white diffuse lens LED Lamp. The chip material used in Red and Blue emitting is high efficiency AlGaInP and InGaN material with brilliant light output. It has high reliability lead based package and available in full selection of colors, high intensity under low current condition





#### Applications

- TV Set
- Monitor
- Computer
- Telephone



#### Electronic Optical Characteristics (at 20mA):

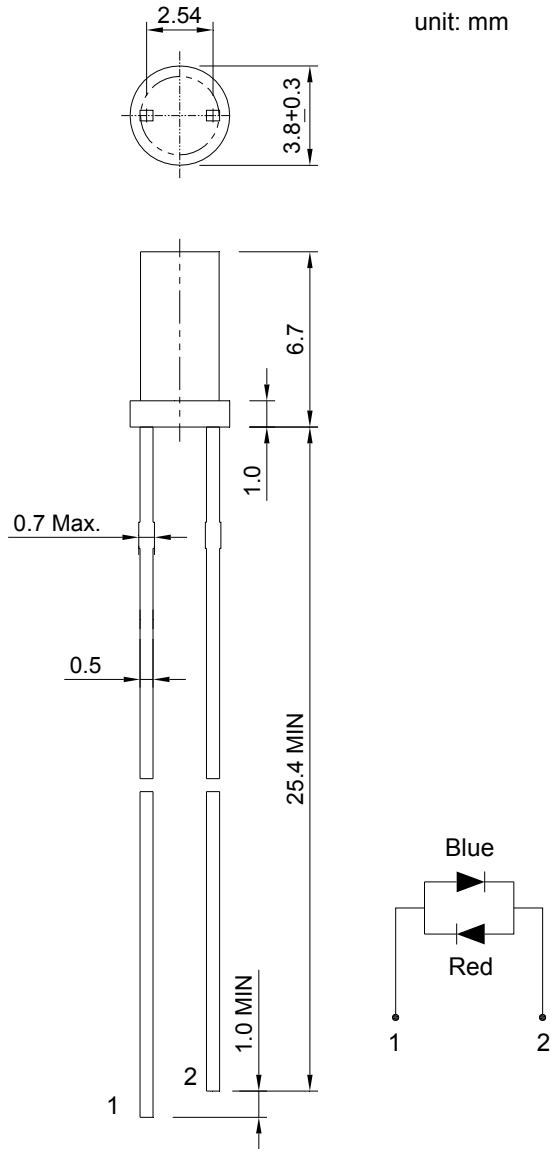
Part Number	Emitted Color	$\lambda$ (nm)		Iv(mcd)		VF(Volt)		View Angle (2 $\theta$ 1/2)	Lens
		$\lambda d$	$\lambda p$	Min.	Typ.	Typ.	Max.		
VT 3LH7	Red 	624	632	18	32	2.0	2.4	140	Milky
	Blue 	470	468	28	55	3.5	3.8		

#### Absolute Maximum Ratings (at Ta=25°C)

Emitted Color	P <sub>D</sub> (mW)	I <sub>F</sub> (mA)	T <sub>sol</sub> (°C)	I <sub>R</sub> ( $\mu$ A)@V <sub>R</sub> =5V	Topr (°C)	Tstg (°C)
Red	60	25	260 $\pm$ 5 5 sec.	10	-40~+85	-40~+90
Blue	90	25		50	-40~+85	-40~+90

Note: Please take note the Absolute Maximum Rating values. Any operation beyond the specify ratings in this table will result degradation of LED life- span and may cause LED to fail.

**Package Dimension:**



**Notes:**

1. All dimensions are millimeters.
2. Tolerance is  $\pm 0.2$ mm unless otherwise specified.
3. Specifications are subject to change without notice.