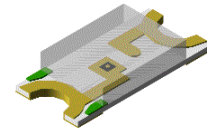


1206 Package SMD LED 0.5mm Height

VS 5WH9

Description

The major breakthrough in VS 5WH9 is white color emitted package in 1206 dimension SMT LED. This series of top emitting devices are operating under low current driving condition suitable for backlighting applications or applications call for light emitting from unique angle.



Feature

- Package: Top emitting SMT-package, brightness, Vf and color categorized for each reel
- Technology: InGaN
- Assembly: Suitable for all SMT assembly methods



Application

- General lighting indicator
- Backlighting (LCD, switches , keys, display)
- Interior automotive

Electronic Optical Characteristics (at 5mA):

Part Number	Emitted Color	C.C.		Lens Color	Iv(mcd)		View Angle	VF(V)	
		X	Y		Min.	Typ.		Typ.	Max.
VS 5WH9	White	0.29	0.30	Yellow Diff.	45	80	150	3.0	3.2

Absolute Maximum Ratings (at Ta=25°C)

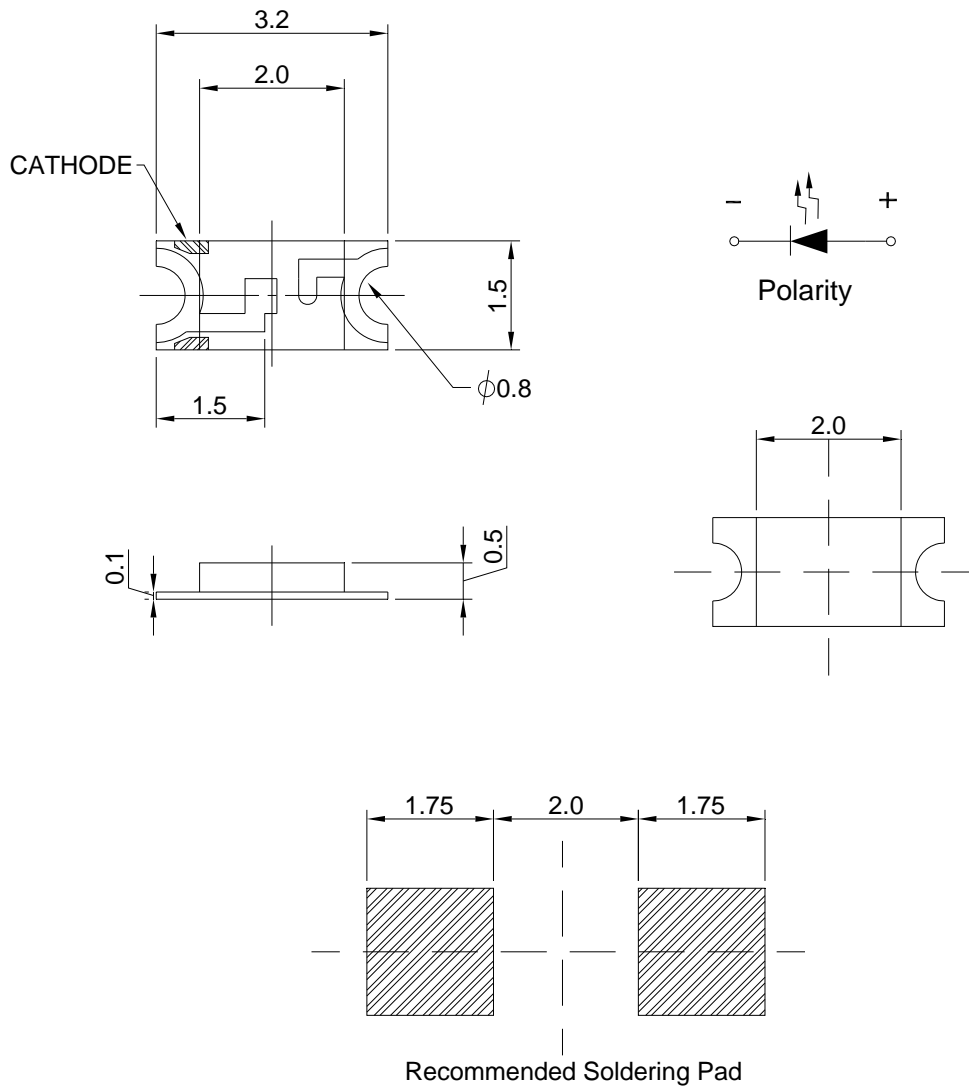
P _D (mW)	I _{FP} (mA)	I _F (mA)	Iron Solder(°C)	I _R (uA)@V _R =5V	Topr(°C)	Tstg(°C)
110	100*	25	350 ± 5 for 3 sec.	50	-40~+85	-40~+100

Note: Please take note the Absolute Maximum Rating values. Any operation beyond the specify ratings in this table will result degradation of LED life-span and may cause LED to fail.

* I_{FP}: Peak Forward Current under 1/10 duty, 1KHz condition

Package Dimension:

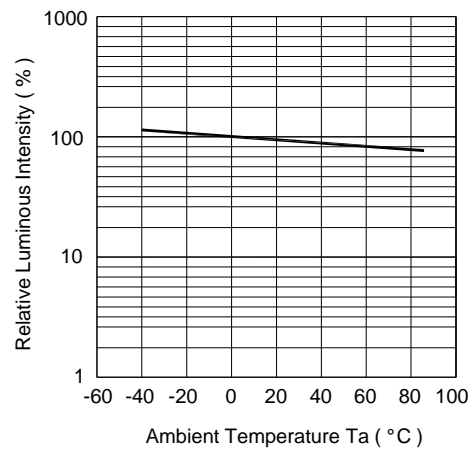
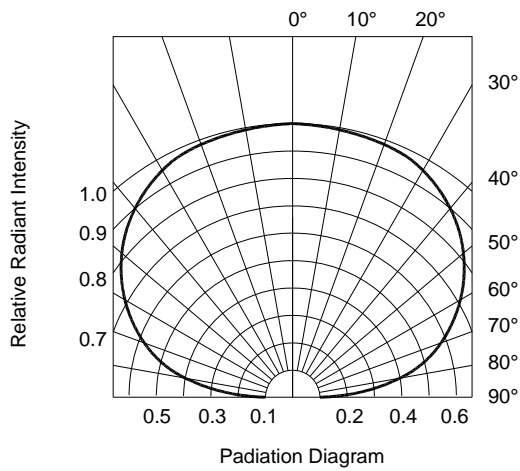
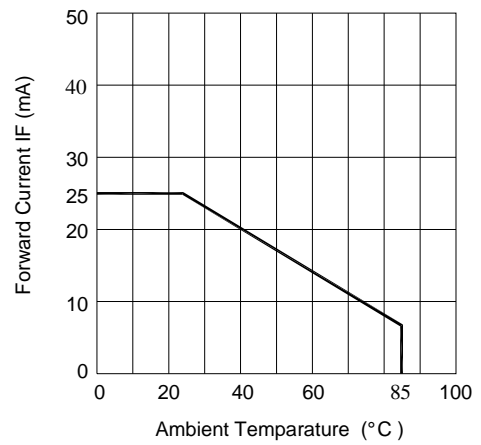
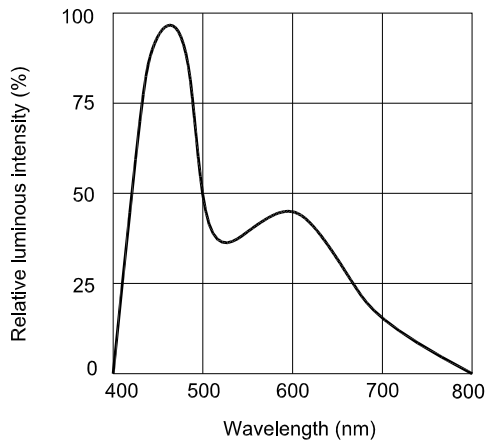
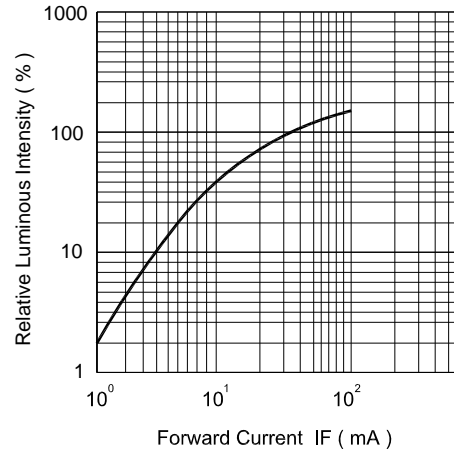
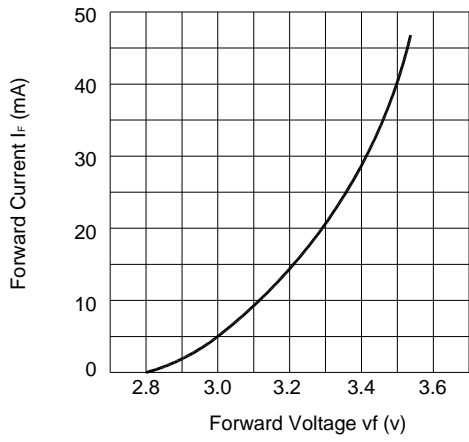
unit : mm



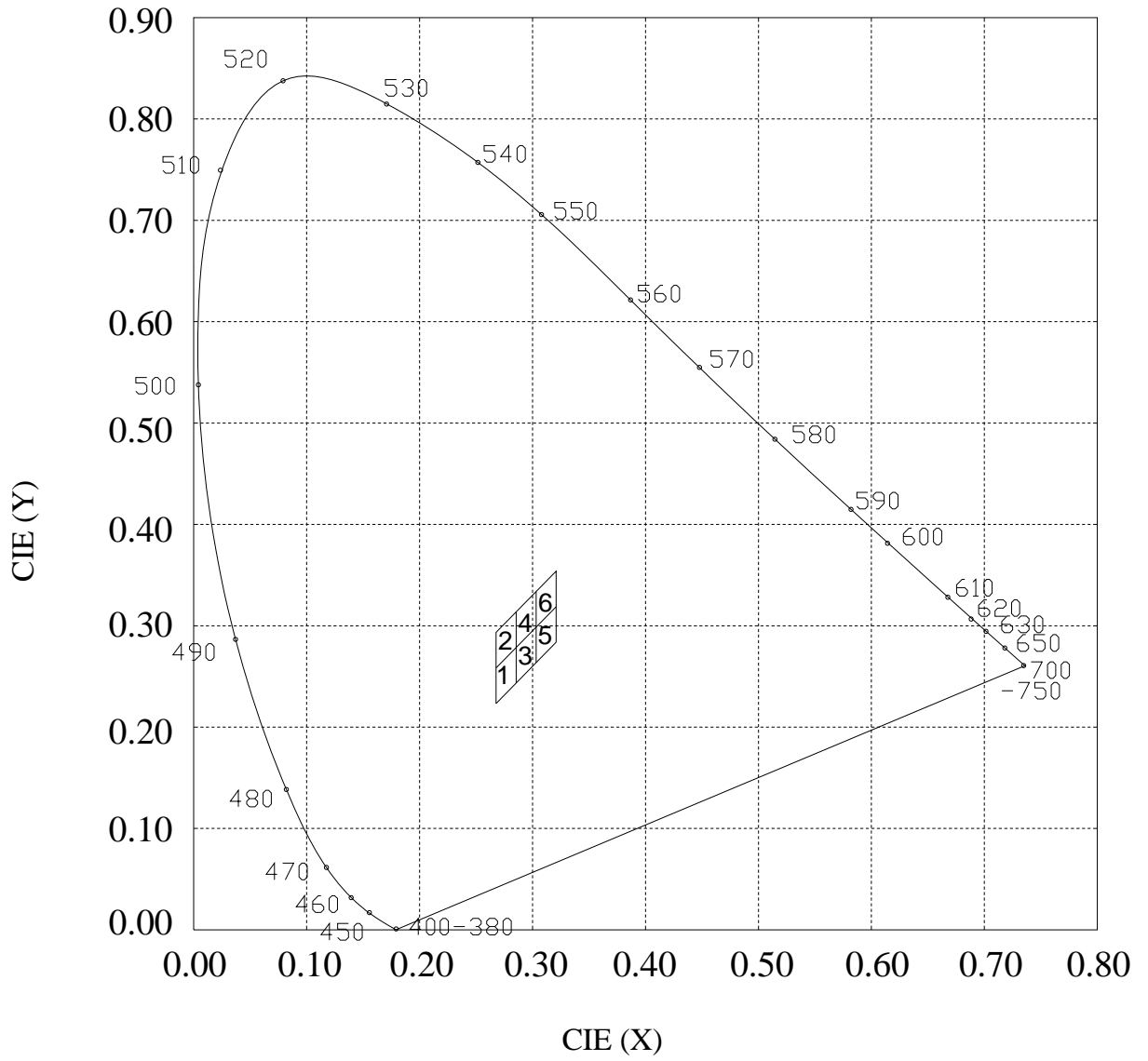
Notes:

1. All dimensions are millimeters.
2. Tolerance is ± 0.2 mm unless otherwise specified.
3. Specifications are subject to change without notice.

Typical Electro-optical Characteristics Curves



CIE Chromaticity Diagram

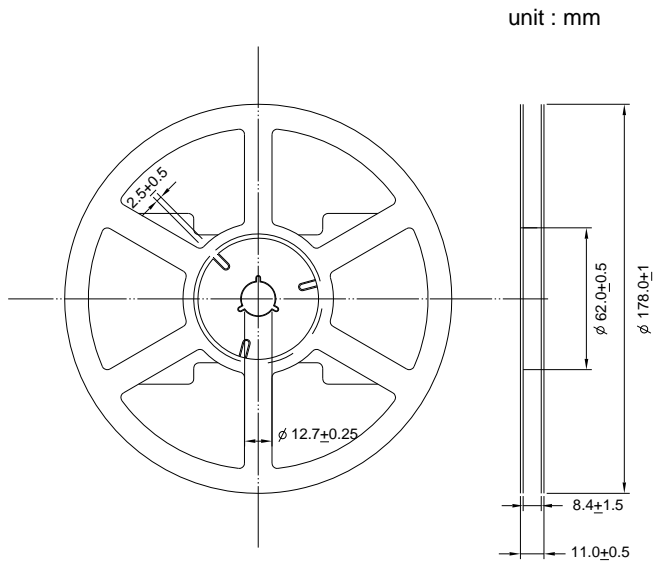


Color Ranks ($I_f=5\text{mA}$, $T_a=25^\circ\text{C}$)

Rank	CIE x	CIE y
1	0.274	0.226
	0.274	0.258
	0.294	0.286
	0.294	0.254
2	0.274	0.258
	0.274	0.291
	0.294	0.319
	0.294	0.286
3	0.294	0.254
	0.294	0.286
	0.314	0.315
	0.314	0.282
4	0.294	0.286
	0.294	0.319
	0.314	0.347
	0.314	0.315
5	0.314	0.282
	0.314	0.315
	0.334	0.343
	0.334	0.311
6	0.314	0.315
	0.314	0.347
	0.334	0.376
	0.334	0.343

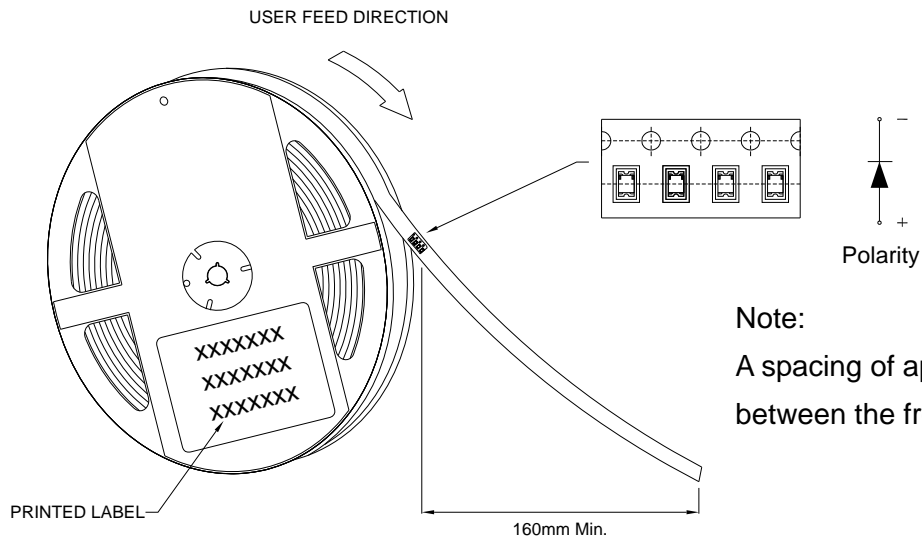
Measurement uncertainty of the color coordinates: ± 0.01

Reel Dimension:



Note:

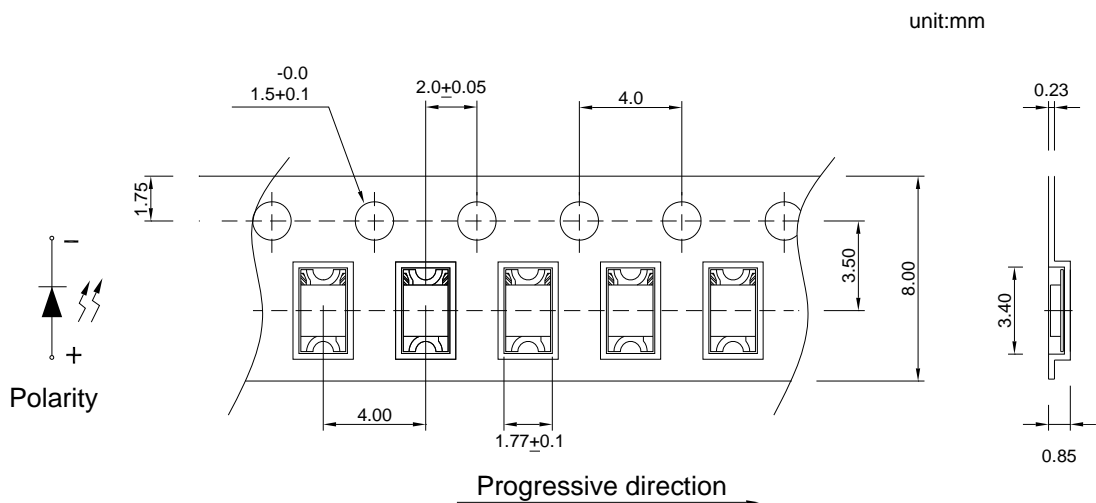
Available in 8mm carrier tape on 178mm diameter reels. (3,000 pieces)



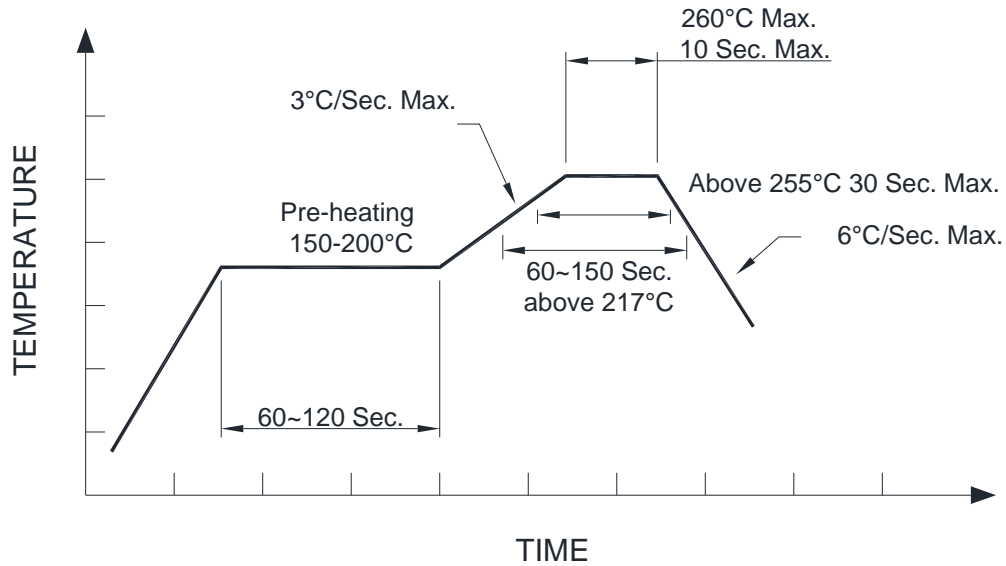
Note:

A spacing of approximately 160mm between the front edge of tape

Tape Dimension:



Recommended Pb-free re-flow soldering profile:



Note:

All the specifications listed in this data sheet are suitable for general electronic equipment, office equipment and communication devices. Kindly consult Sales Representatives for specific reliabilities request, Forward Voltage, Luminous Intensity, Wavelength, Radiant Power or Viewing Angle.