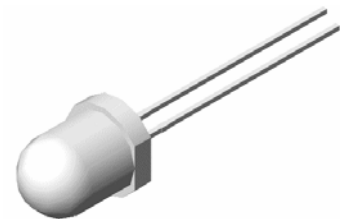


8mm Round Yellow Emit LED

VT 8646.35

Description

The major breakthrough in VT 8646 series is yellow color emit. The dice used in this series is AlGaInP rather than the conventional GaP and GaAsP/GaP. The advantages of AlGaInP are low power consumption and obtaining high luminous intensity under low current driving condition. Other than Bulk packing, tape and reel is available.




Features

- High reliability LED package
- Available in full selection of colors
- Luminous categorized for each bag
- High intensity under low current condition
- AllnGaP dice technology with color diffuse lens

RoHS



Electronic Optical Characteristics (at 20mA):

Part Number	Emitted Color	λ (nm)		Lens Color	Iv(mcd)		View Angle	VF(V)	
		λ d	λ p		Min.	Typ.		Typ.	Max.
VT 8646.35	Yellow 	589	591	Tinted	90	125	60	2.0	2.4

Absolute Maximum Ratings (at Ta=25°C)

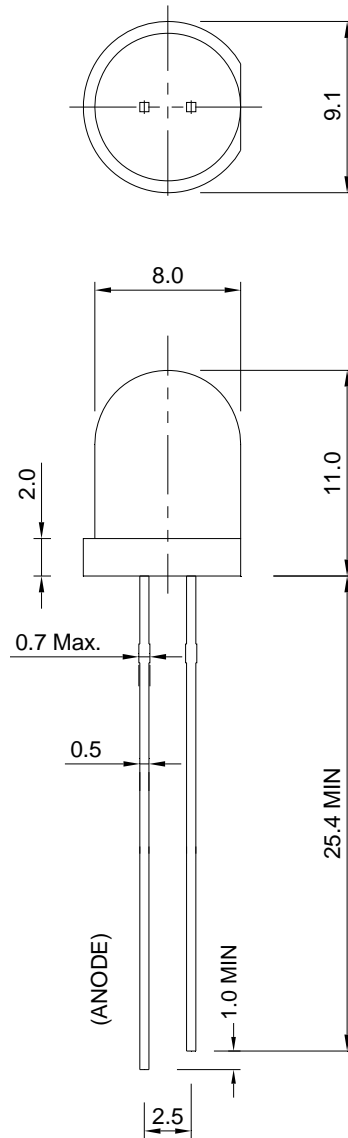
P _D (mW)	I _{FP} (mA)	I _F (mA)	T _{sol} (°C)	I _R (uA)@V _R =5V	T _{opr} (°C)	T _{stg} (°C)
60	100*	25	260 ± 5 for 5 sec.	10	-40~+85	-40~+100

Note: Please take note the Absolute Maximum Rating values. Any operation beyond the specify ratings in this table will result degradation of LED life-span and may cause LED to fail.

* I_{FP}: Peak Forward Current under 1/10 duty, 1KHz condition

Package Dimension:

unit: mm



Notes:

1. All dimensions are millimeters.
2. Dimensional tolerance is +/- 0.2mm unless otherwise specified.
3. Epoxy meniscus under flange is 1.5 mm max.
4. Specifications are subject to change without notice.