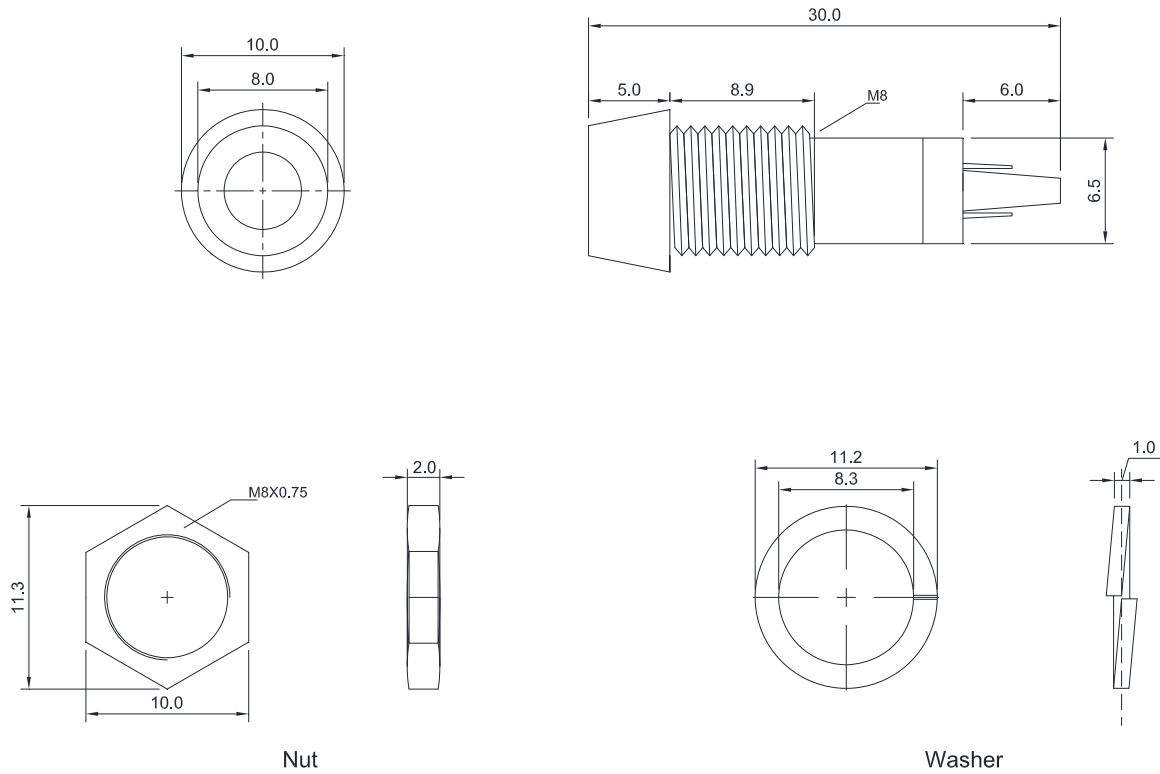


Screw Model A Type 24V LED

VSL N317LG24


unit : mm



Notes:

1. All dimensions are millimeters.
2. Tolerance is $\pm 0.5\text{mm}$ unless otherwise specified.
3. Specifications are subject to change without notice.

LED Electronic Optical Characteristics (at 24V):

Part Number	Emitted Color	λ (nm)		Iv(mcd)		View Angle
		λd	λp	Min.	Typ.	
VSL N317LG24	Green 	573	575	5	12	60