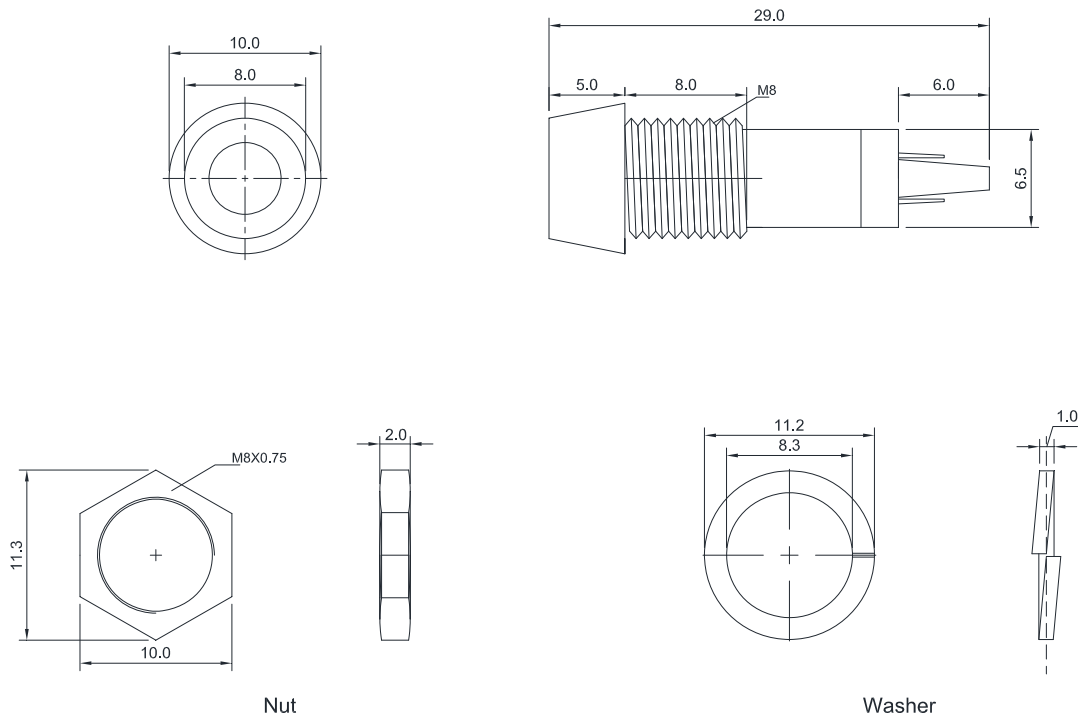


# Screw Model A Type 24V LED

## VSL N317LR24


unit : mm



### Notes:

1. All dimensions are millimeters.
2. Tolerance is  $\pm 0.5\text{mm}$  unless otherwise specified.
3. Specifications are subject to change without notice.

### LED Electronic Optical Characteristics (at 24V):

Part Number	Emitted Color	$\lambda$ (nm)		Iv(mcd)		View Angle
		$\lambda d$	$\lambda p$	Min.	Typ.	
VSL N317LR24	Red 	624	632	5	12	60