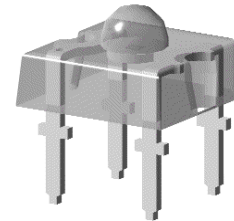


Super Flux LED with 50 Degree View Angle

VT 6948.51

Description

The series of LEDs is known as 'Super Flux' LED, able to withstand high drive current application. With special design Lead-Frame, the heat dissipation capability is increased. During high operating forward current, the luminous intensity is increase tremendously. As such, the overall cost is reduced with less number of LEDs being used. These LEDs can be used as Traffic Single Light, Signal Board or in Full Color applications.




Features

- High luminous flux output
- Supreme heat dissipation
- Package in tubes for automatic insertion
- Luminous and color categorized for each tube

RoHS



Electronic Optical Characteristics (at 70mA):

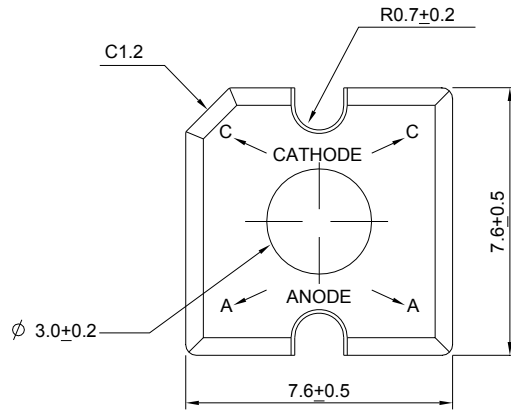
Part Number	Emitted Color	λ (nm)		Lens Color	Flux (mlm)		View Angle (2 θ 1/2)	VF(V)	
		λ_d	λ_p		Min.	Typ.		Typ.	Max.
VT 6948.51	Orange 	612	621	Clear	3550	4500	50	2.6	3.1

Absolute Maximum Ratings at Ta=25°C

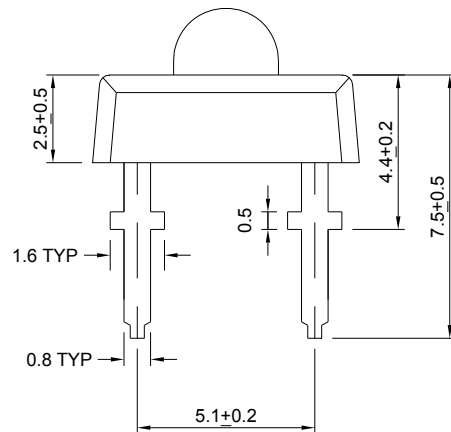
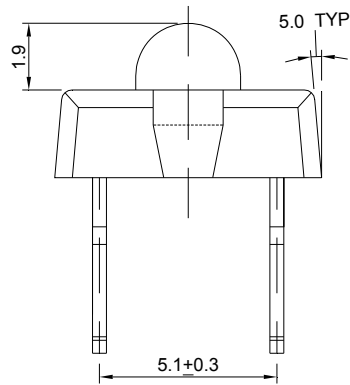
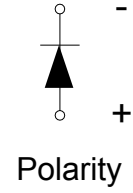
Emitted Color	P _D (mW)	I _F (mA)	T _{sol} (°C)	I _R (μ A)@V _R =5V	T _{opr} (°C)	T _{stg} (°C)
Orange Red	220	70	260 \pm 5	10	-40~+85	-40+100

Note: Please take note the Absolute Maximum Rating values. Any operation beyond the specified ratings in this table will result degradation of LED life-span and may cause LED to fail.

Package Dimension:



unit:mm

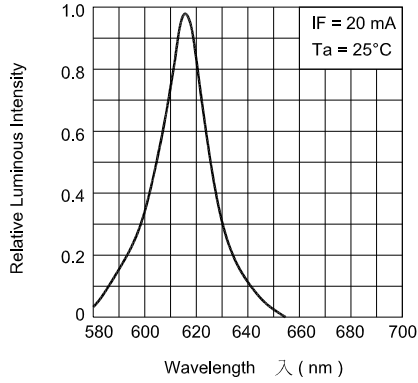


Notes:

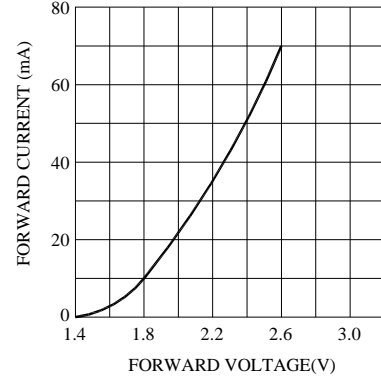
1. All dimensions are millimeters.
2. Dimensional tolerance is ± 0.2 mm unless otherwise specified.
3. Epoxy meniscus under flange is 1.5 mm max.
4. Specifications are subject to change without notice.

Typical Electro-optical Characteristics Curves

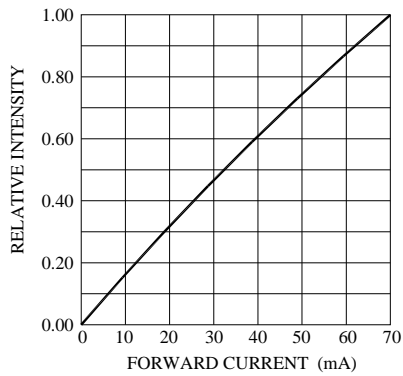
Relative Intensity vs. Wavelength



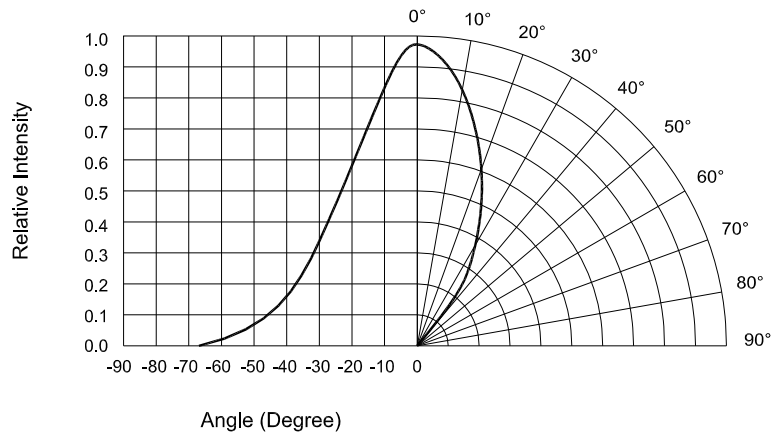
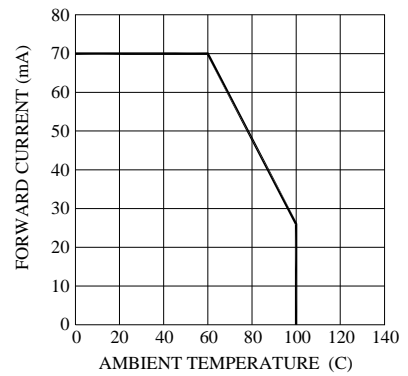
Forward Current vs. Forward Voltage



Relative Intensity vs. Forward Current



Forward Current vs. Ambient Temp.



Specification for Bin Range:**Luminous intensity Rank @ 70 mA**

Bin Code	51	52	53	--
Iv (mlm)	3550-4500	4500-5600	5600-7100	--

Wavelength Rank @ 70 mA

Bin Code	R1	R2	--	--
λd (nm)	614-617	617-620	--	--

Forward Voltage Ranks @ 70mA

Bin Code	1	2	3	4	5
V_F (V)	2.1-2.3	2.3-2.5	2.5-2.7	2.7-2.9	2.9-3.1