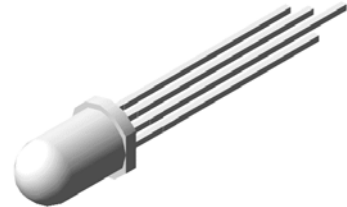


5mm Round RGB LED C.C Configuration

VT 5R68C

Description

The VT 5R68C full color LED Lamp is design into 5mm round standard package. The chip material used AlGaInP technology for Red color and InGaN technology for True-green and Blue color. With such material ca be produce high efficiency with brilliant light output. Other than bulk packing, tape and reel is available. Changes in viewing angle, luminous intensity and lens color is acceptable.






Applications

- TV Set
- Monitor
- Computer
- Telephone
- Game



Electronic Optical Characteristics (at 20mA):

Part Number	Emitted Color	λ (nm)		Lens Color	Iv(mcd)		View Angle (2 θ 1/2)	VF(V)	
		λ d	λ p		Min.	Typ.		Typ.	Max.
VT 5R68C	Red 	624	632	Clear	450	900	35	2.2	2.6
	True-green 	525	518		2250	3900		3.2	3.8
	Blue 	470	468		780	1300		3.2	3.8

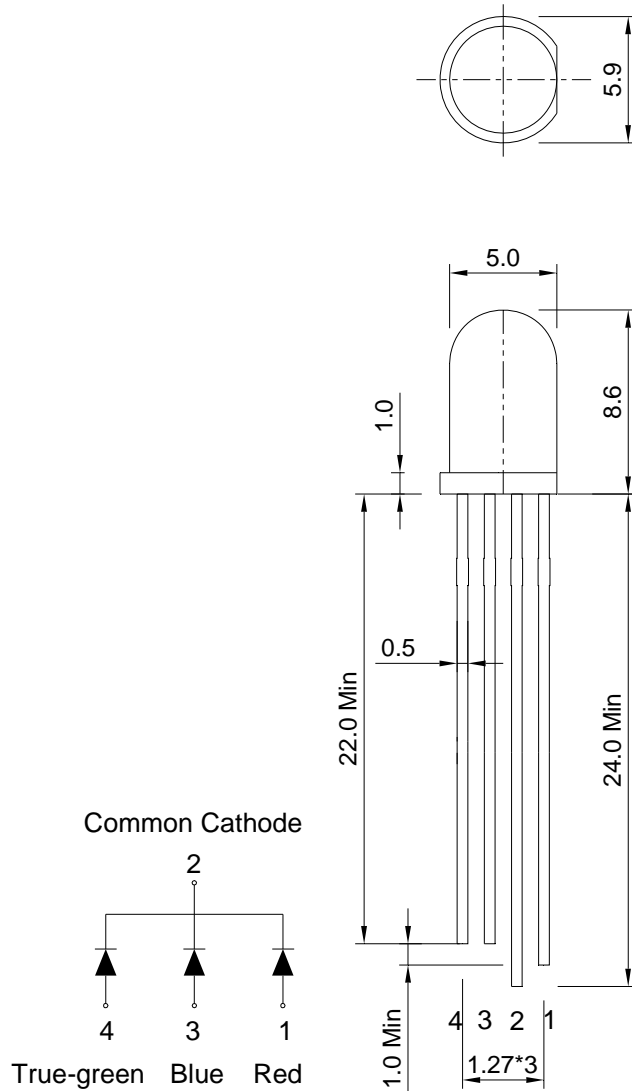
Absolute Maximum Ratings(at Ta=25°C)

Emitted Color	P _D (mW)	I _F (mA)	I _{FP} (mA)	T _{sol} (°C)	I _R (uA) @VR=5V	T _{opr} (°C)	T _{stg} (°C)
Red	100	30	100	260±5 for 5 sec	10	-40~+85	-40~+100
True-green	120	30	100		50	-40~+85	-40~+100
Blue	120	30	100		50	-40~+85	-40~+100

Note: Please take note the Absolute Maximum Rating values. Any operation beyond the specify ratings in this table will result degradation of LED life- span and may cause LED to fail.

Package Dimension:

unit: mm



Notes:

1. All dimensions are millimeters.
2. Tolerance is ± 0.2 mm unless otherwise specified.
3. Specifications are subject to change without notice.