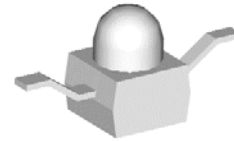


“Z Bend” Package Silicon Photodiode

OD KD38

Features

- High radiant sensitive
- Low junction capacitance
- Wide radiant sensitive area
- Fast respond speed.
- Daylight filter
- Lens in water clear



Applications

- Industrial electronics
- Measurement
- Control Circuit
- Interrupter



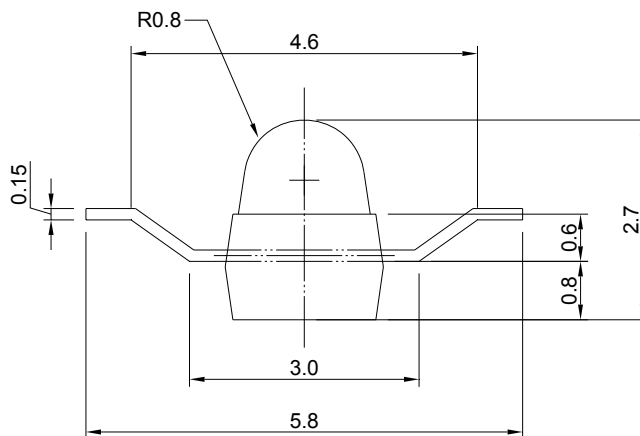
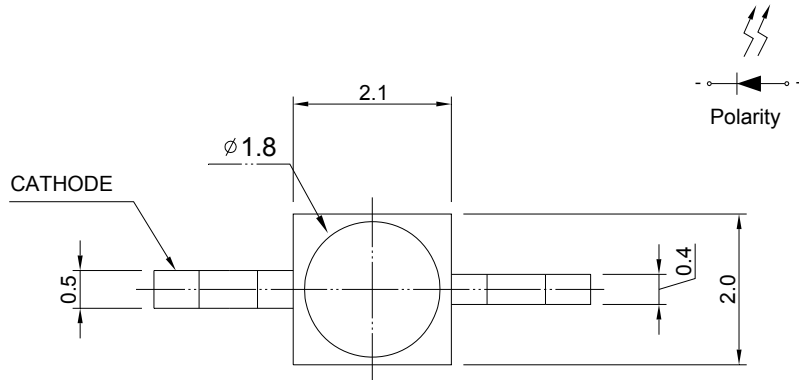
Absolute Maximum Rating T(amb) =25°C, unless otherwise specified

Parameter	Symbol	Value	Unit
Reverse Voltage	V_R	30	V
Power Dissipation	P_d	150	mW
Operating Temperature Range	T_{opr}	-30 to + 85	°C
Storage Temperature	T_{stg}	-40 to + 85	°C
Soldering Temperature	T_{sol}	260+/-5 for 5 sec	°C

Note: Please take note the Absolute Maximum Rating values. Any operation beyond the specified ratings in this table will result degradation of LED life- span and may cause LED to fail.

Package Dimension:

unit : mm



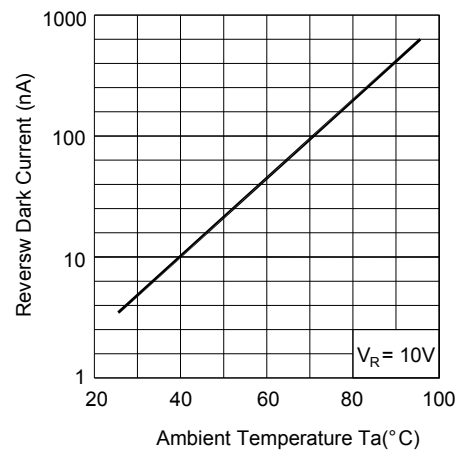
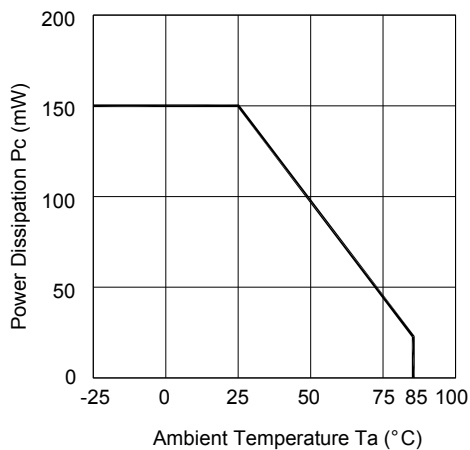
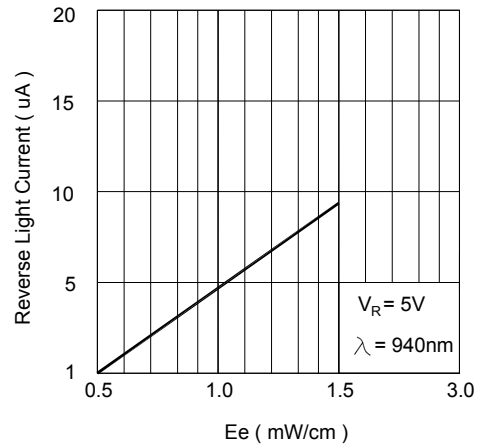
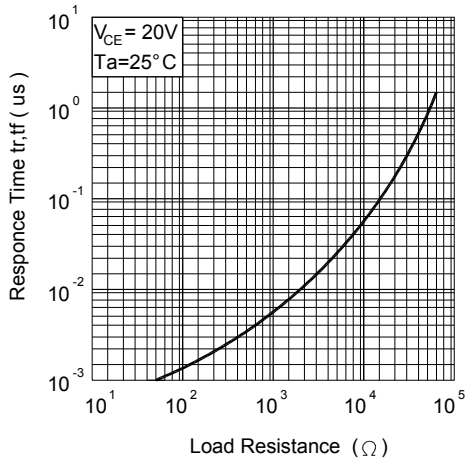
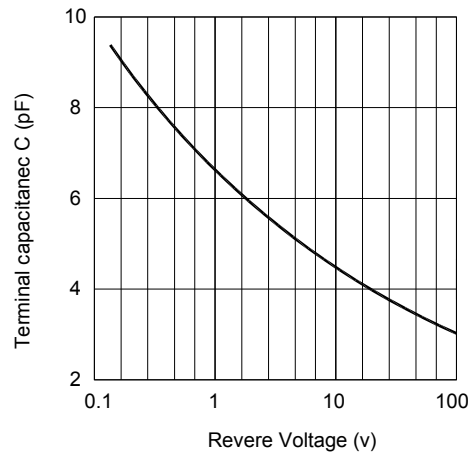
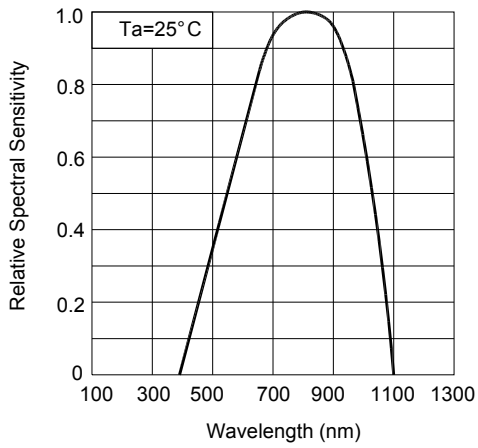
Notes:

1. All dimensions are millimeters.
2. Tolerance is ± 0.2 mm unless otherwise specified.
3. Specifications are subject to change without notice.

Optical Characteristics Tamb=25°C, unless otherwise specified

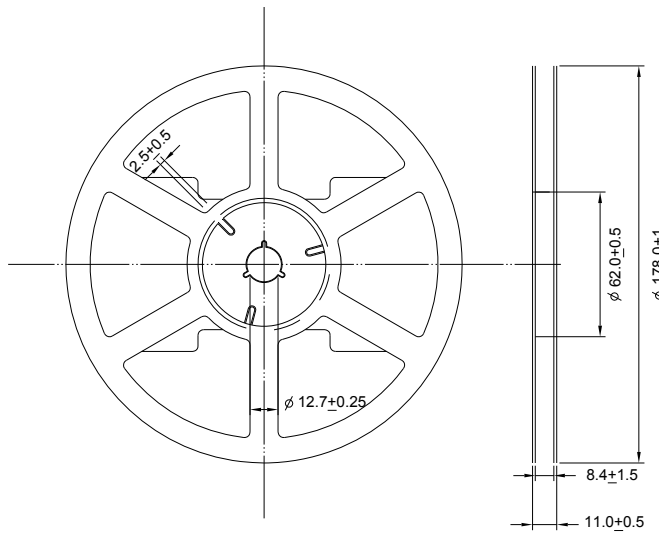
Parameter	Test condition	Symbol	Min	Typ.	Max	Unit
Open Circuit Voltage	Ee = 5mW/cm ² λ p= 940nm	Voc	---	0.4	---	V
Short Circuit Current	Ee = 5mW/cm ² λ p= 940nm	Isc	---	5	---	μA
Dark Current	Ee = 0mW/cm ² VR = 10V	ID	---	--	10	nA
Reverse Light Current	Ee = 5mW/cm ² λ p= 940nm VR = 5V	IL	--	5	---	μA
Total Capacitance	Ee = 0mW/cm ² VR = 5V f=1MHz	Ct	---	5	---	pF
Reverse Breakdown Voltage	Ee = 0mW/cm ² IR=100 μA	BVR	32	170	---	V
Range of Spectral Bandwidth	---	λ 0.5	400	---	1100	nm
Wavelength of Peak Sensitivity	---	λ p	---	870	---	nm
Rise Time	VR=10V, RL=1000Ω	tr	---	6	---	nS
Fall Time		tf		6	---	

Optical Characteristics Curves



Reel Dimension:

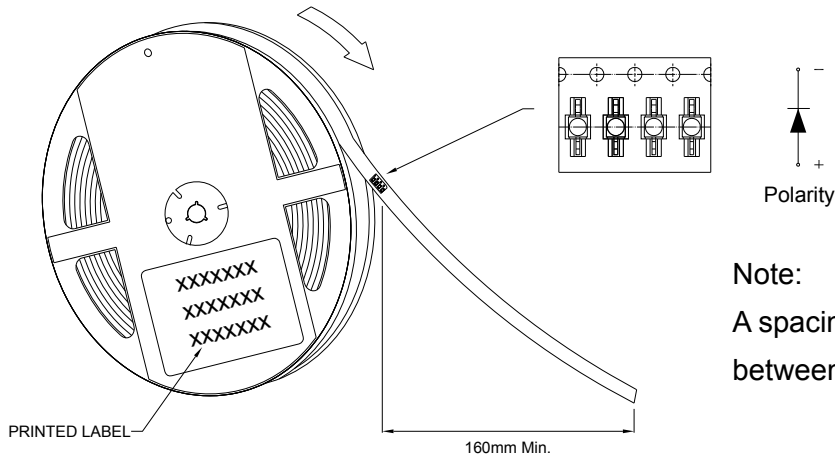
unit : mm



Note:

Available in 8mm carrier tape on 178mm diameter reels. (1000 pieces)

USER FEED DIRECTION

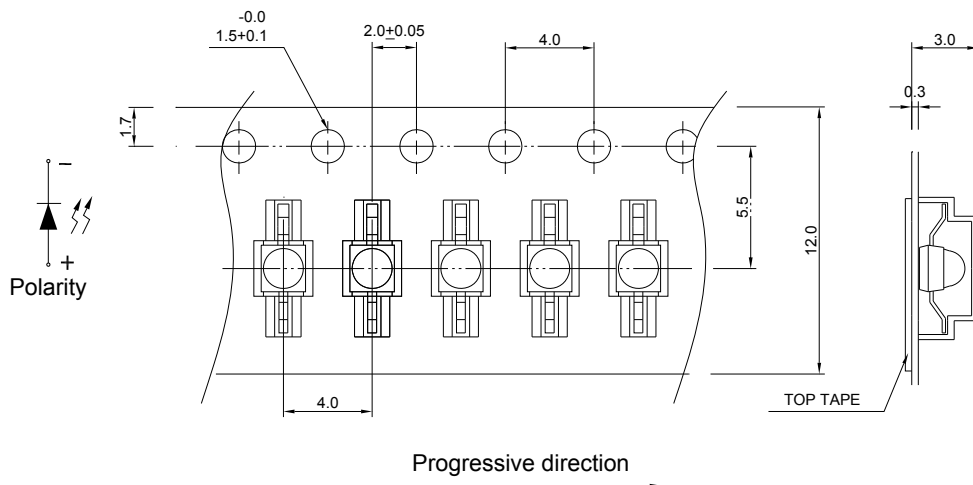


Note:

A spacing of approximately 160mm between the front edge of tape

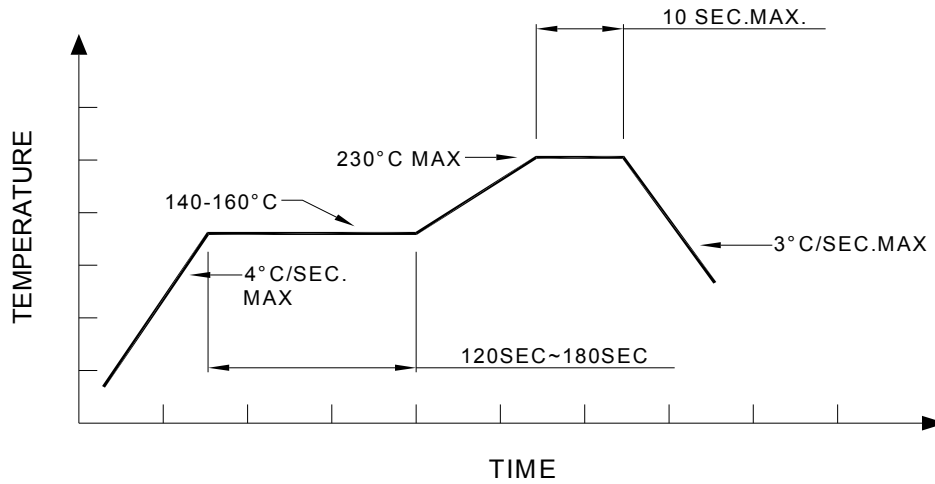
Tape Dimension:

unit:mm



Progressive direction

Recommended re-flow soldering profile:



Recommended Pb-free re-flow soldering profile:

