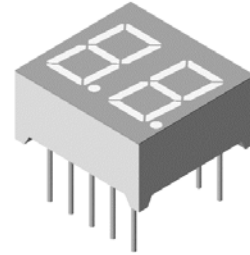


## 0.36" Dual Digit Display C.A. Configuration

### VP 472AG

#### Main Features:

- Low power consumption
- High efficiency chips material
- Excellent character appearance
- Long life solid state reliability
- Common anode configuration
- Gray color surface reflector with white diffuse segments




#### Applications

- Industry equipment
- Instruments panels
- Counter equipment



#### Electronic Optical Characteristics (at 10mA):

| Part Number | Emitted Color   | $\lambda$ (nm) |             | Surface Color | Iv (mcd per segment) |      | VF(V) |      |
|-------------|---|----------------|-------------|---------------|----------------------|------|-------|------|
|             |   | $\lambda d$    | $\lambda p$ |               | Min.                 | Typ. | Typ.  | Max. |
| VP 472AG    | Red  | 624            | 632         | Gray          | 5.6                  | 9.0  | 2.0   | 2.4  |

#### Absolute Maximum Ratings (at Ta=25°C)

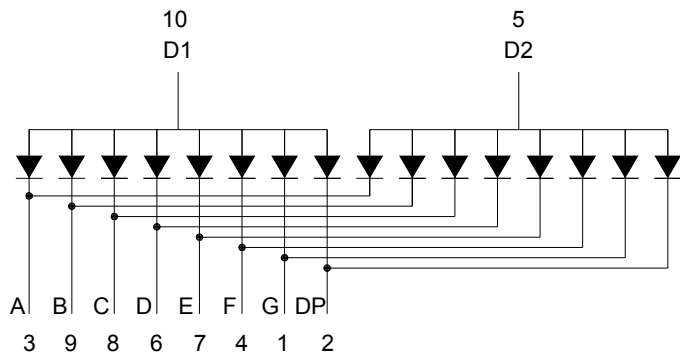
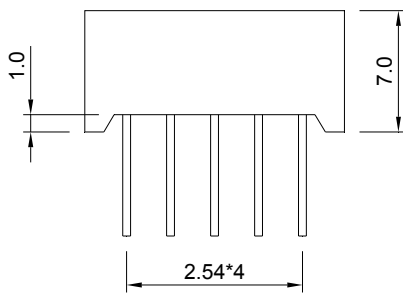
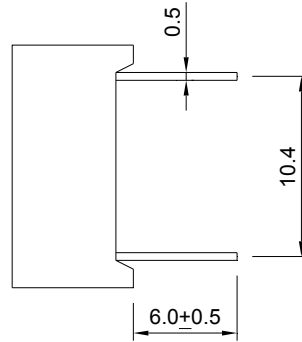
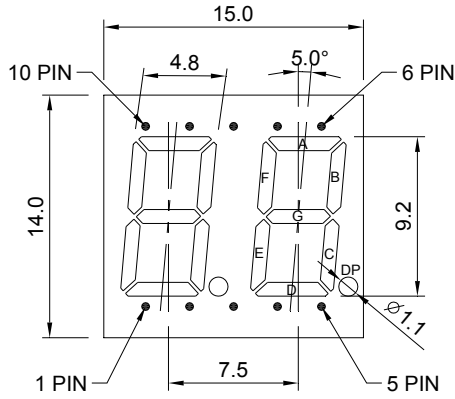
| P <sub>D</sub> (mW) | I <sub>FP</sub> (mA) | I <sub>F</sub> (mA) | T <sub>sol</sub> (°C)  | I <sub>R</sub> ( $\mu$ A)@V <sub>R</sub> =5V | T <sub>opr</sub> (°C) | T <sub>stg</sub> (°C) |
|---------------------|----------------------|---------------------|------------------------|--|-----------------------|-----------------------|
| 60                  | 100*                 | 25                  | 260 $\pm$ 5 for 5 sec. | 10   | -40~+85               | -40~+100              |

Note: Please take note the Absolute Maximum Rating values. Any operation beyond the specify ratings in this table will result degradation of LED life-span and may cause LED to fail.

\* I<sub>FP</sub>: Peak Forward Current under 1/10 duty, 1KHz condition

**Package Dimension:**

unit: mm



Internal Circuit Diagram

**Notes:**

1. All dimensions are millimeters.
2. Dimensional tolerance is +/- 0.2mm unless otherwise specified.
3. Specifications are subject to change without notice.