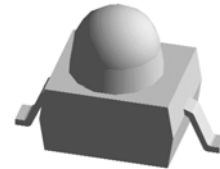


## 'Gull Wing' Lead Subminiature LED

### VL A528

#### Description

This series of leaded SMT LEDs is also known as Subminiature LED. There are 'Gull Wing', 'Yoke Bend' and 'Z Bend' type of lead forming but straight lead is available as well. The dice used in this series ( Red /Green / Yellow is AlGaInP rather than the conventional GaP and GaAsP/GaP. The advantages of AlGaInP are low power consumption and obtaining high luminous intensity under low current driving condition.




#### Applications

- Industrial control systems signal indicator
- Automotive features
- Front panel indicator
- Status indication



#### Electronic Optical Characteristics (@ 20mA):

Part Number	Emitted Color	$\lambda$ (nm)		Lens Color	Iv(mcd)		View Angle (2 $\theta$ 1/2)	VF(V)	
		$\lambda$ d	$\lambda$ p		Min.	Typ.		Typ.	Max.
VL A528	Green 	573	575	Clear	264	330	25	2.0	2.4

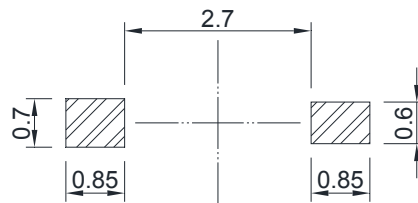
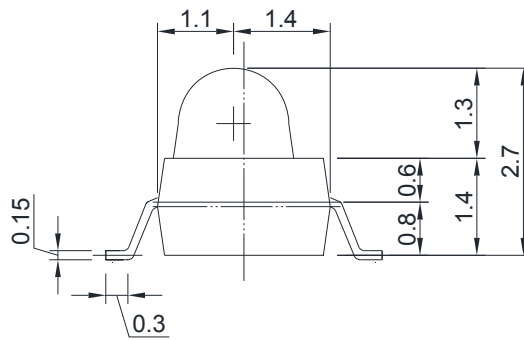
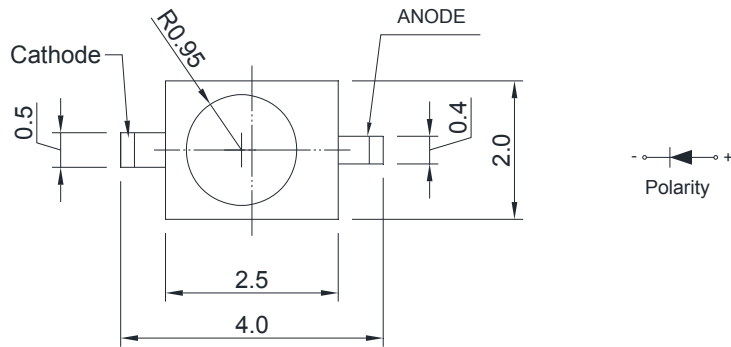
#### Absolute Maximum Ratings (@ Ta=25°C)

Emitted Color	P <sub>D</sub> (mW)	I <sub>F</sub> (mA)	ESD(V)	I <sub>R</sub> (uA)@VR=5V	T <sub>opr</sub> (°C)	T <sub>stg</sub> (°C)
Green (573nm)	60	25	2000	10	-40~+85	-40~+90

Note: Please take note the Absolute Maximum Rating values. Any operation beyond the specified ratings in this table will result degradation of LED life- span and may cause LED to fail.

**Package Dimension:**

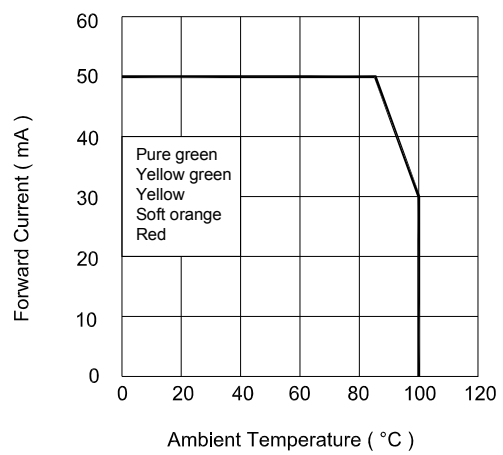
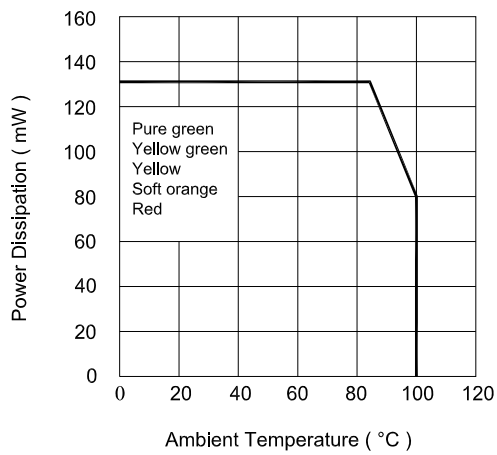
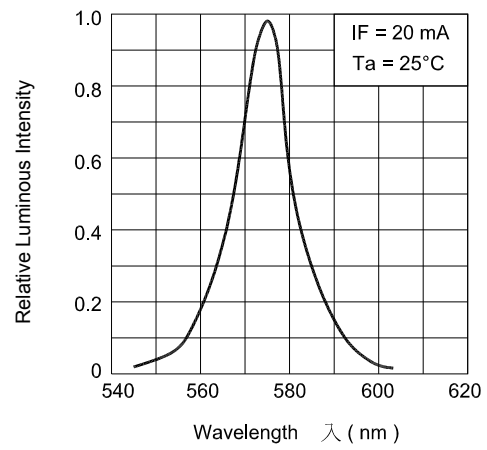
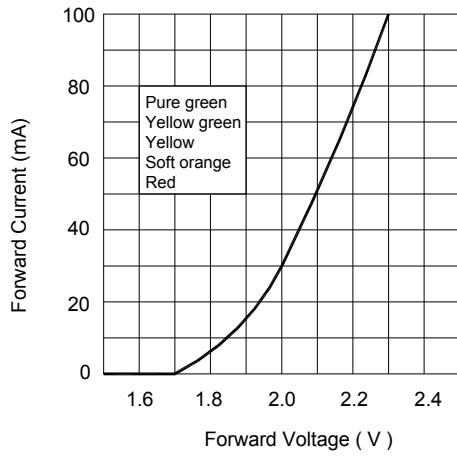
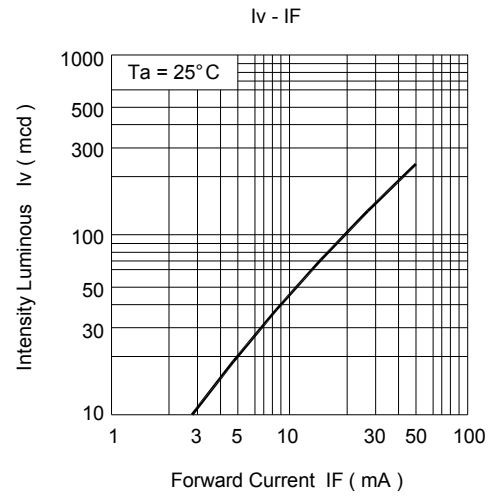
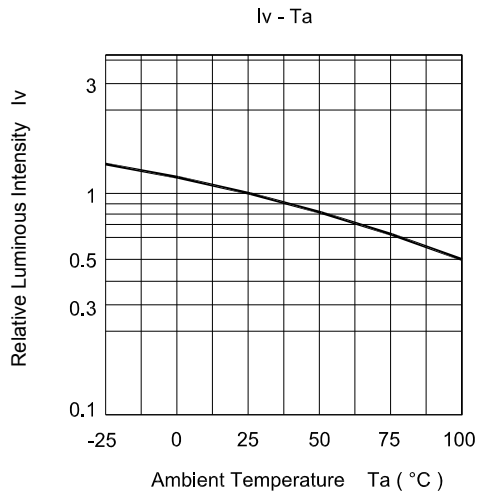
unit : mm



**Notes:**

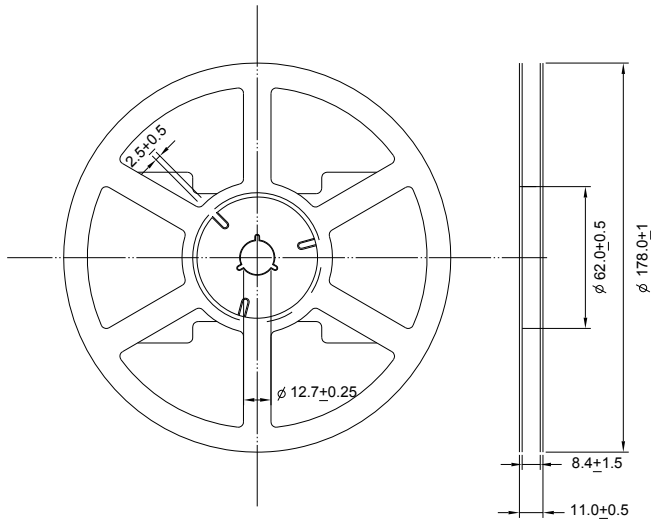
1. All dimensions are millimeters.
2. Tolerance is  $\pm 0.2$ mm unless otherwise specified.
3. Specifications are subject to change without notice.

### Optical Characteristics Curves



**Reel Dimension:**

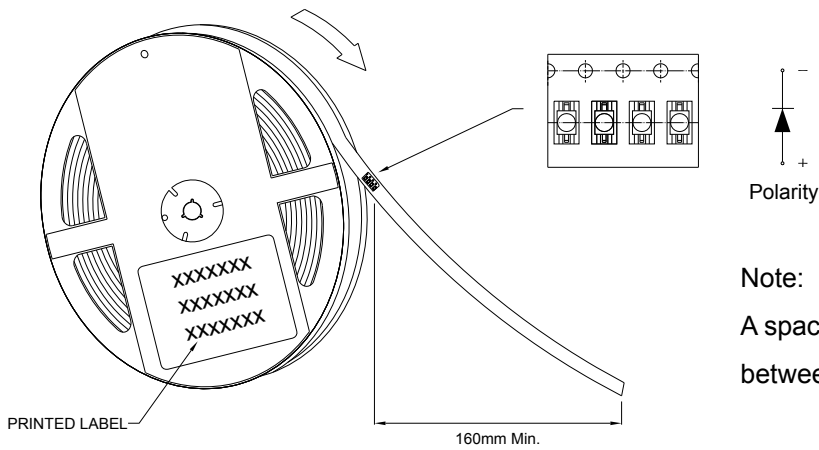
unit : mm



**Note:**

Available in 8mm carrier tape on 178mm diameter reels. (1000 pieces)

USER FEED DIRECTION

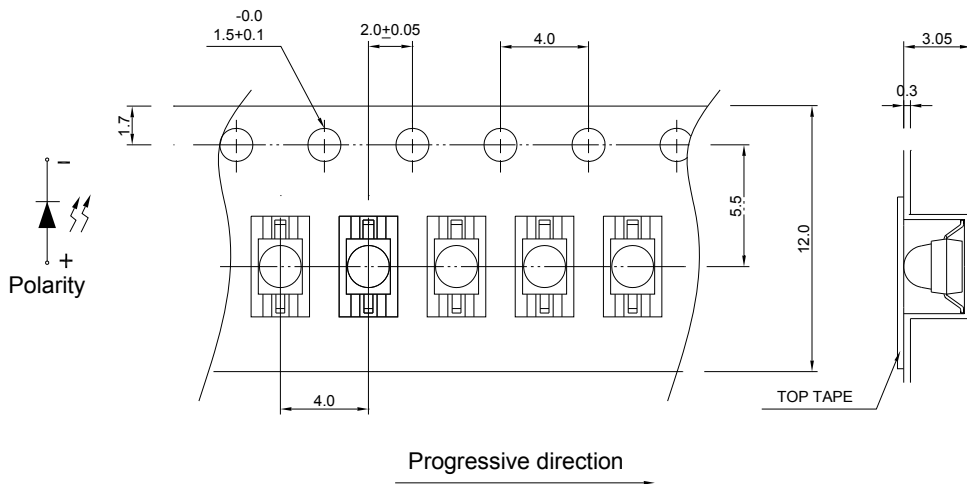


**Note:**

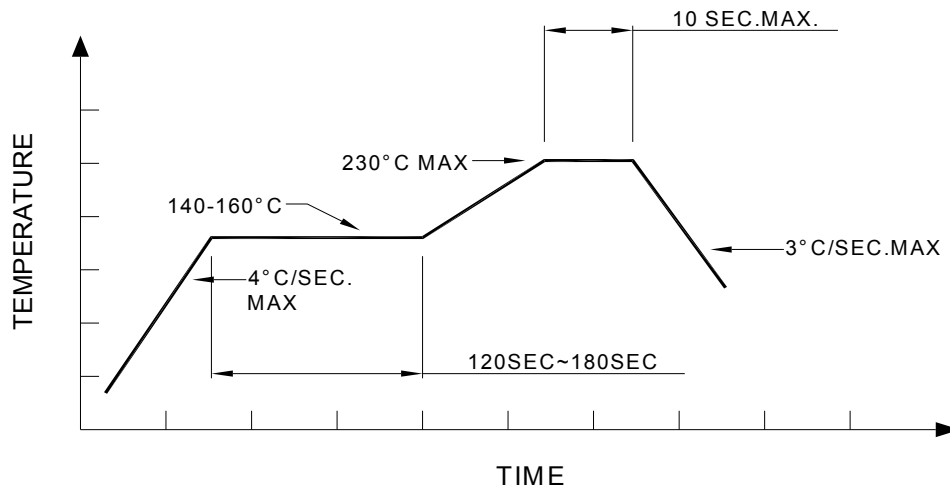
A spacing of approximately 160mm between the front edge of tape

**Tape Dimension:**

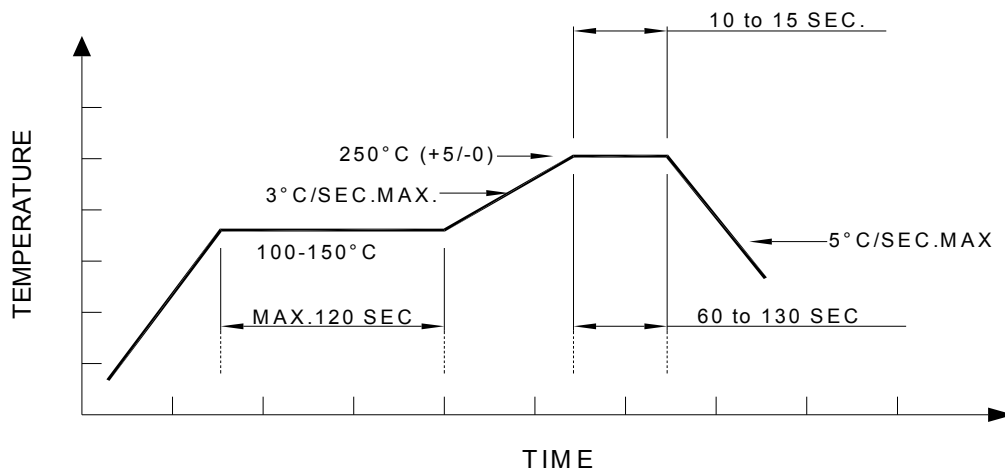
unit:mm



**Recommended re-flow soldering profile:**



**Recommended Pb-free re-flow soldering profile:**



**Note:**

All the specifications listed in this data sheet are suitable for general electronic equipment, office equipment and communication devices. Kindly consult Sales Representatives for specific reliabilities request, Forward Voltage, Luminous Intensity, Wavelength, Radiant Power or Viewing Angle.