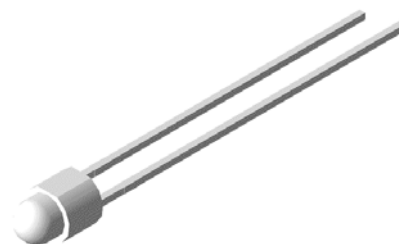


3.0mm Round Super Bright LED

VT H728.41

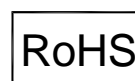
Description

These series high brightness red emitting LEDs are made from the most efficient AlGaInP technology. Its chip material is of AlGaInP technology, able to reach high light output efficiency. Other than Bulk packing, tape and reel is available. Changes in viewing angle, luminous intensity and lens color is acceptable.




Applications

- Lighting indicator
- Status lights
- ON/OFF indicator
- Backlight illumination



Electronic Optical Characteristics (at 20mA):

Part Number	Emitted Color	λ (nm)		Lens Color	Iv(mcd)		View Angle (2 θ 1/2)	VF(V)	
		λ d	λ p		Min.	Typ.		Typ.	Max.
VT H728.41	Red 	624	632	Clear	355	810	20	2.0	2.4

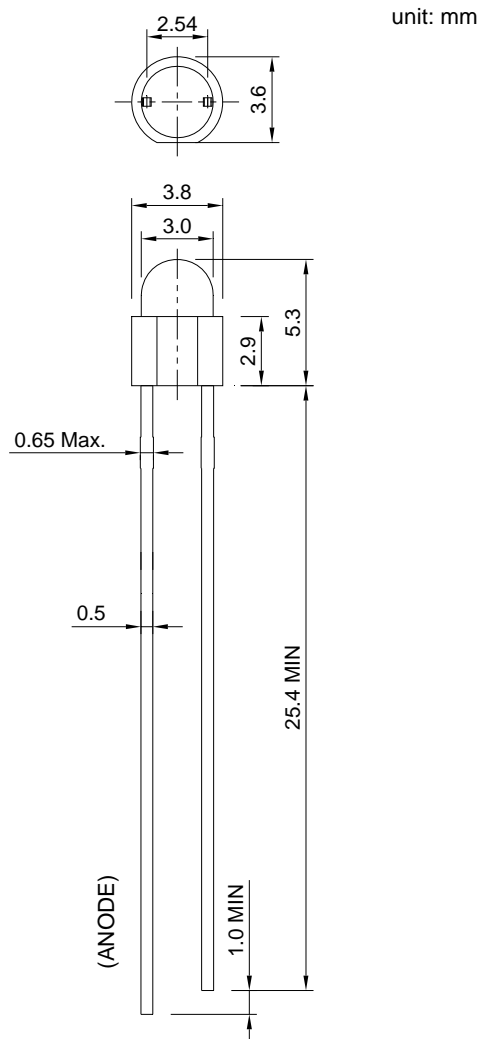
Absolute Maximum Ratings (at Ta=25°C)

P _D (mW)	I _F (mA)	I _{FP} (mA)	T _{sol} (°C)	I _R (μ A)@V _R =5V	T _{opr} (°C)	T _{stg} (°C)
110	25	100	260 \pm 5 fro 5 sec	10	-40~+85	-40~+100

Note: Please take note the Absolute Maximum Rating values. Any operation beyond the specified ratings in this table will result degradation of LED life-span and may cause LED to fail.

* I_{FP}: Peak Forward Current under 1/10 duty, 1KHz condition

Package Dimension:



Notes:

1. All dimensions are millimeters.
2. Dimensional tolerance is +/- 0.2mm unless otherwise specified.
3. Epoxy meniscus under flange is 1.5 mm max.
4. Specifications are subject to change without notice.