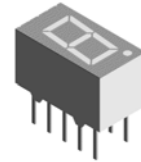


0.36" Single Display C.A.

VP 451AG

Main Features:

- Low power consumption
- High efficiency chips material
- Excellent character appearance
- Long life solid state reliability
- Common anode configuration
- Gray color surface reflector with white diffuse segments




Applications

- Industry equipment
- Instruments panels
- Counter equipment
- Power meter



Electronic Optical Characteristics (at 20mA):

Part Number	Emitted Color	λ (nm)		Surface Color	Iv(mcd)		VF(V)	
		λd	λp		Min.	Typ.	Typ.	Max.
VP 451AG	Green 	573	575	Gray	12	20	2.0	2.4

Absolute Maximum Ratings (at Ta=25°C)

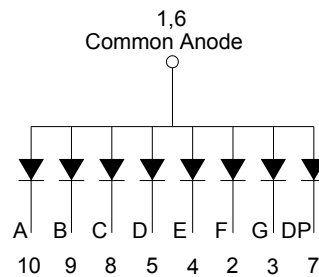
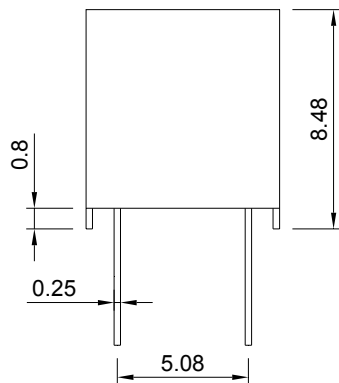
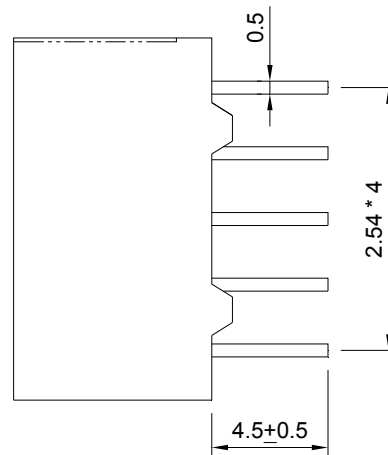
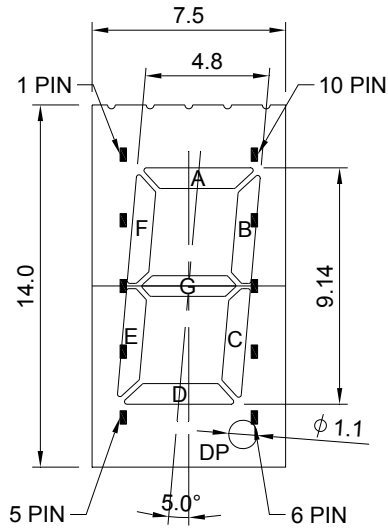
P _D (mW)	I _{FP} (mA)	I _F (mA)	Solder Temp.(°C)	I _R (μ A)@V _R =5V	Topr(°C)	Tstg(°C)
60	100*	25	260 \pm 5 for 5 sec.	10	-40~+85	-40~+100

Note: Please take note the Absolute Maximum Rating values. Any operation beyond the specify ratings in this table will result degradation of LED life-span and may cause LED to fail.

* I_{FP}: Peak Forward Current under 1/10 duty, 1KHz condition

Package Dimension:

unit: mm



Internal Circuit Diagram

Notes:

1. All dimensions are millimeters.
2. Dimensional tolerance is +/- 0.2mm unless otherwise specified.
3. Specifications are subject to change without notice.