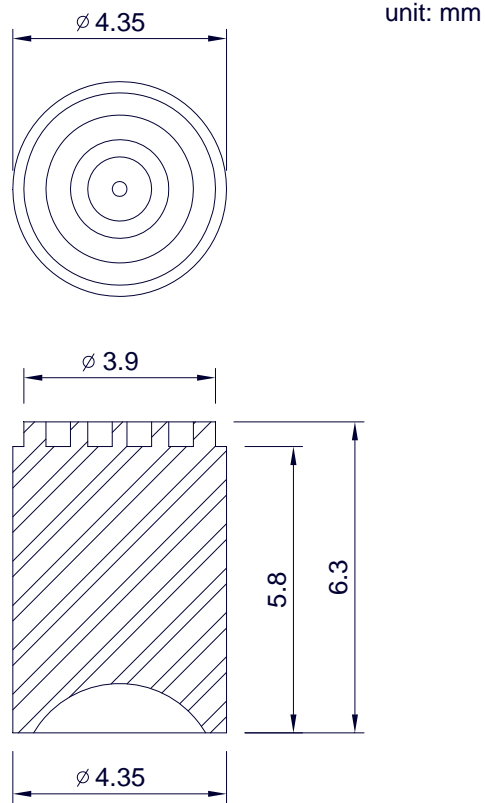
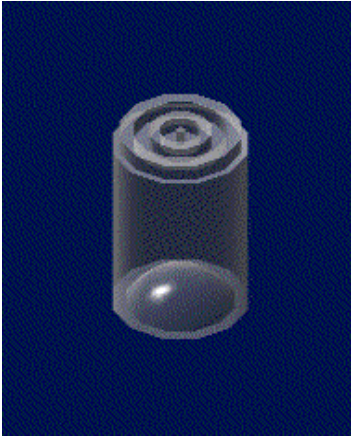


## Light Pie Model No: VLP-20



### Notes:

1. All dimensions are millimeters.
2. Dimensional tolerance is  $\pm 0.2$ mm unless otherwise specified.
3. Specifications are subject to change without notice.