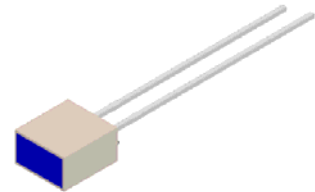


## Jacket Package LED

### VT R2D6.24

#### Description

The constructive of this series of LED are different from the dip type LED. This VT R2D6 is rectangular light source designed for a large bright source application. Such construction is very suitable to be used in high demanding reliability applications. The dice used in this series is InGaN material. The advantages of InGaN are low power consumption and obtaining high luminous intensity under low current driving condition.




#### Applications

- Lighting indicator
- Status lights
- ON/OFF indicator
- Backlight illumination
- Front panel indicator



#### Electronic Optical Characteristics (at 20mA):

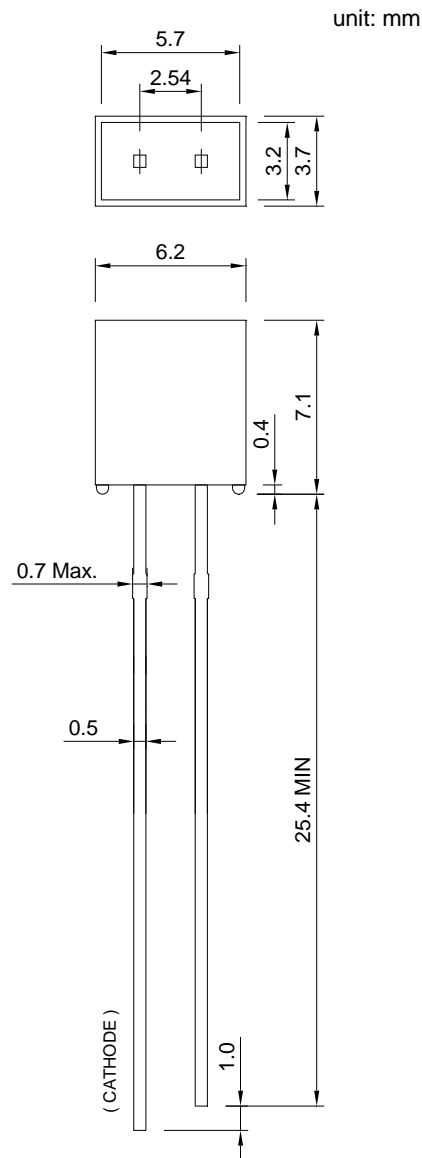
Part Number	Emitted Color	$\lambda$ (nm)		Lens Color	Iv(mcd)		View Angle (2 $\theta$ 1/2)	VF(V)	
		$\lambda$ d	$\lambda$ p		Min.	Typ.		Typ.	Max.
VT R2D6.24	Blue 	470	468	Tinted	10	20	110	3.3	3.8

#### Absolute Maximum Ratings (at Ta=25°C)

P <sub>D</sub> (mW)	I <sub>FP</sub> (mA)	I <sub>F</sub> (mA)	T <sub>sol</sub> (°C)	I <sub>R</sub> ( $\mu$ A)@V <sub>R</sub> =5V	T <sub>opr</sub> (°C)	T <sub>stg</sub> (°C)
90	100*	25	260 $\pm$ 5 for 5 sec.	50	-40~+85	-40~+100

Note: Please take note the Absolute Maximum Rating values. Any operation beyond the specify ratings in this table will result degradation of LED life-span and may cause LED to fail.

\* I<sub>FP</sub>: Peak Forward Current under 1/10 duty, 1KHz condition

**Package Dimension:****Notes:**

1. All Dimensions are millimeters.
2. Tolerance is  $\pm 0.2\text{mm}$  unless otherwise specified.
3. Specifications are subject to change without notice.