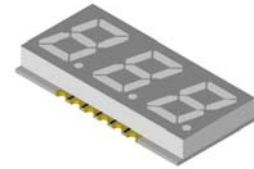


0.39" Triple Digit SMD Display C.A

VD 373AG

Main Features:

- Surface mount technology
- Low power consumption
- High efficiency chips material
- Excellent character appearance
- Long life solid state reliability
- Common anode configuration
- Gray color surface reflector white diffuse segments




Applications

- Industry equipment
- Instruments panels
- Counter equipment
- Power meter



Electronic Optical Characteristics (at 20mA):

Part Number	Emitted Color	λ (nm)		Surface Color	Iv(mcd)		VF(V)	
		λd	λp		Min.	Typ.	Typ.	Max.
VD 373AG	Red 	624	632	Gray	30	50	2.0	2.4

Absolute Maximum Ratings (at Ta=25°C)

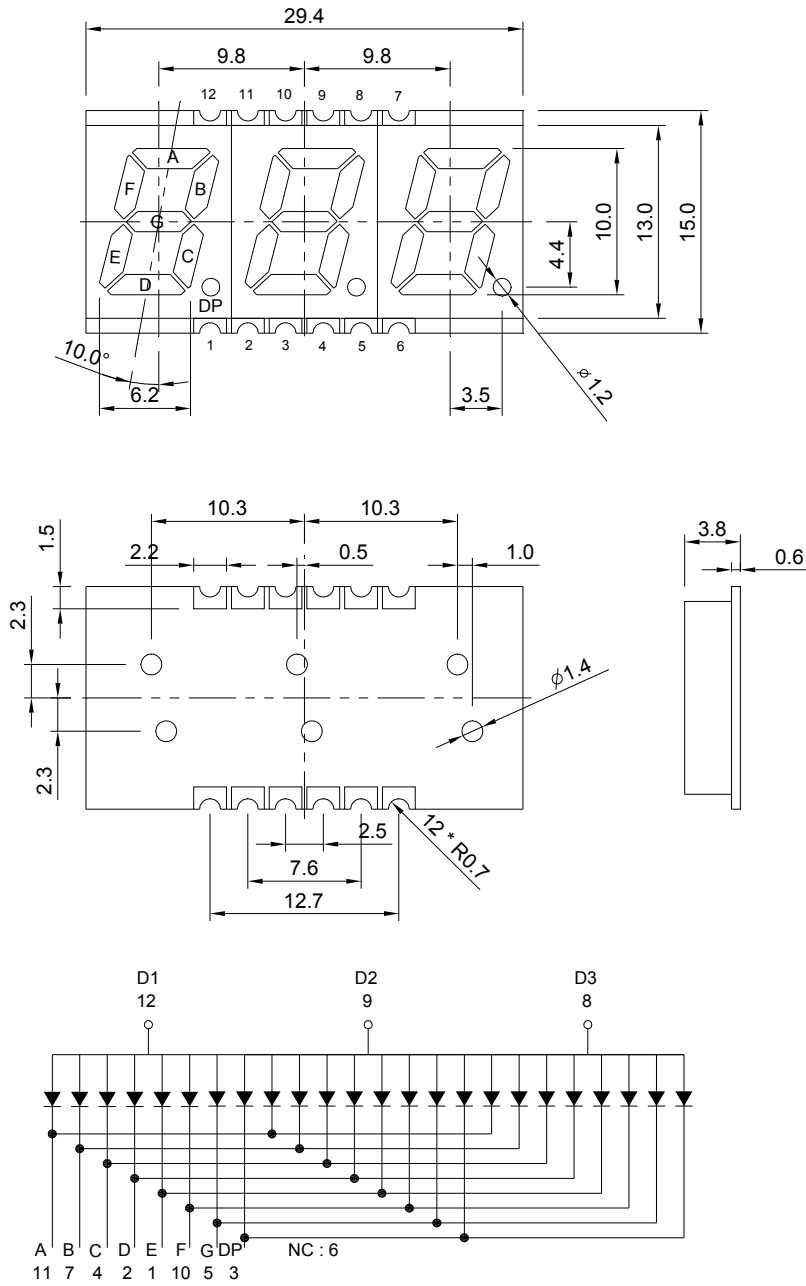
P _D (mW)	I _{FP} (mA)	I _F (mA)	Iron Solder(°C)	I _R (μ A)@V _R =5V	Topr(°C)	Tstg(°C)
60	100*	25	350 \pm 5 for 3 sec.	10	-40~+85	-40~+100

Note: Please take note the Absolute Maximum Rating values. Any operation beyond the specify ratings in this table will result degradation of LED life-span and may cause LED to fail.

* I_{FP}: Peak Forward Current under 1/10 duty, 1KHz condition

Package Dimension:

unit: mm

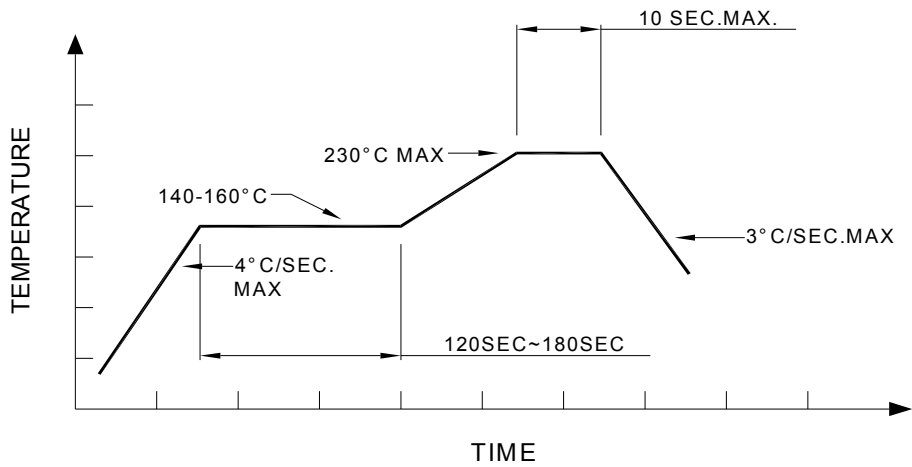


Internal Circuit Diagram

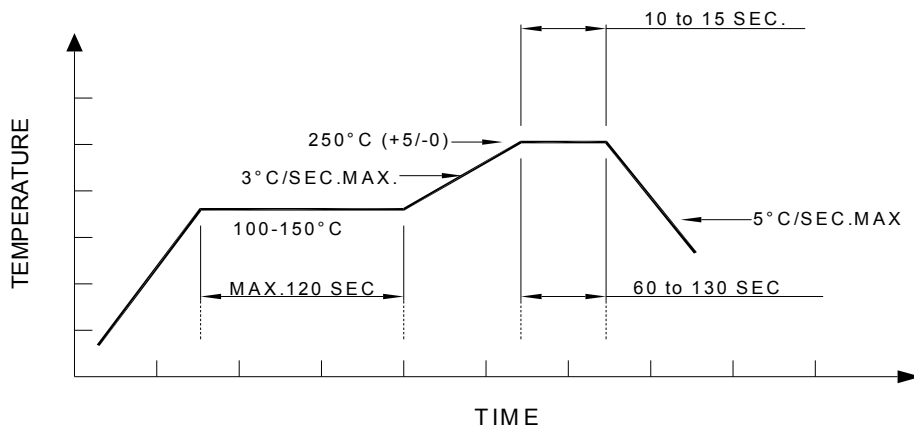
Notes:

1. All dimensions are millimeters.
2. Dimensional tolerance is +/- 0.2mm unless otherwise specified.
3. Specifications are subject to change without notice.

Recommended re-flow soldering profile:



Recommended Pb-free re-flow soldering profile:



Note:

All the specifications listed in this data sheet are suitable for general electronic equipment, office equipment and communication devices. Kindly consult Sales Representatives for specific reliabilities request , Forward Voltage, Luminous Intensity, Wavelength, Radiant Power or Viewing Angle.