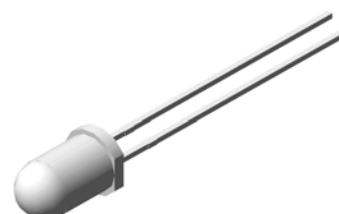


## 5mm Round 12 Volt Resistor LED

### VT 5WU76

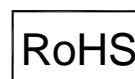
#### Description

This high brightness White emitting LEDs are developed for the automotive and other industries or consumer product application which used 12 DC Volts sources. VT 5WU76 contain an integrated resistor for current limiting in series with LED chip. This allows the LED lamp to be driven from a 12 DC Volts source without an external current limiter. These LED lamps are intended for space critical application such as panels, switches and other which are driven from 12 DC Volts source.



#### Application

- Status light cars application
- Status lights
- ON/OFF indicator in Switches
- Background illumination for switches



#### Electronic Optical Characteristics (at 5 Volts):

| Part Number | Emitted Color | C.C. |      | Lens Color | Iv(mcd) |      | View Angle (2θ1/2) | Vs(V) |      |
|-------------|---------------|------|------|------------|---------|------|--------------------|-------|------|
|             |               | X    | Y    |            | Min.    | Typ. |                    | Min.  | Max. |
| VT 5WU76    | White         | 0.29 | 0.30 | Milky      | 200     | 600  | 40                 | 11    | 13   |

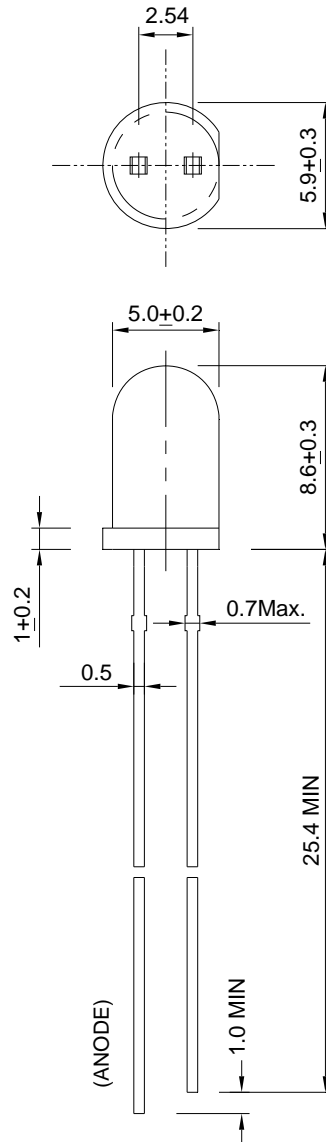
#### Absolute Maximum Ratings at Ta=25°C

| Emitted Color | P <sub>D</sub> (mW) | T <sub>sol</sub> (°C) | Reverse Voltage(V) | T <sub>opr</sub> (°C) | T <sub>stg</sub> (°C) |
|---------------|---------------------|-----------------------|--------------------|-----------------------|-----------------------|
| White         | 160                 | 260±5 for 5 sec       | 13                 | -40~+85               | -40~+100              |

Note: Please take note the Absolute Maximum Rating values. Any operation beyond the specified ratings in this table will result degradation of LED life-span and may cause LED to fail.

**Package Dimension:**

unit: mm



**Notes:**

1. All dimensions are millimeters.
2. Dimensional tolerance is +/- 0.2mm unless otherwise specified.
3. Epoxy meniscus under flange is 1.5 mm max.
4. Specifications are subject to change without notice.