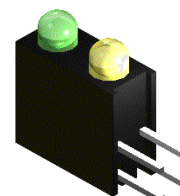


3mm Round LED Lamp Array 2 Pieces

VA 2K76

Main Features:

- ⊙ Low power consumption
- ⊙ Free combination on the color of LED lamps.
- ⊙ Excellent character appearance
- ⊙ Long life solid state reliability
- ⊙ Color diffused lens
- ⊙ AlGaInP technology
- ⊙ High luminous under low current driving condition





Applications

- Lighting indicator
- Status lights
- ON/OFF indicator
- Backlight illumination
- Front panel indicator



Electronic Optical Characteristics (at 20mA):

Part Number	Emitted Color	λ (nm)		Lens Color	Iv(mcd)		View Angle (2 θ 1/2)	VF(V)	
		λ d	λ p		Min.	Typ.		Typ.	Max.
VA 2K76	Green 	573	575	Tinted	28	54	60	2.0	2.4
	Yellow 	589	591		28	54			

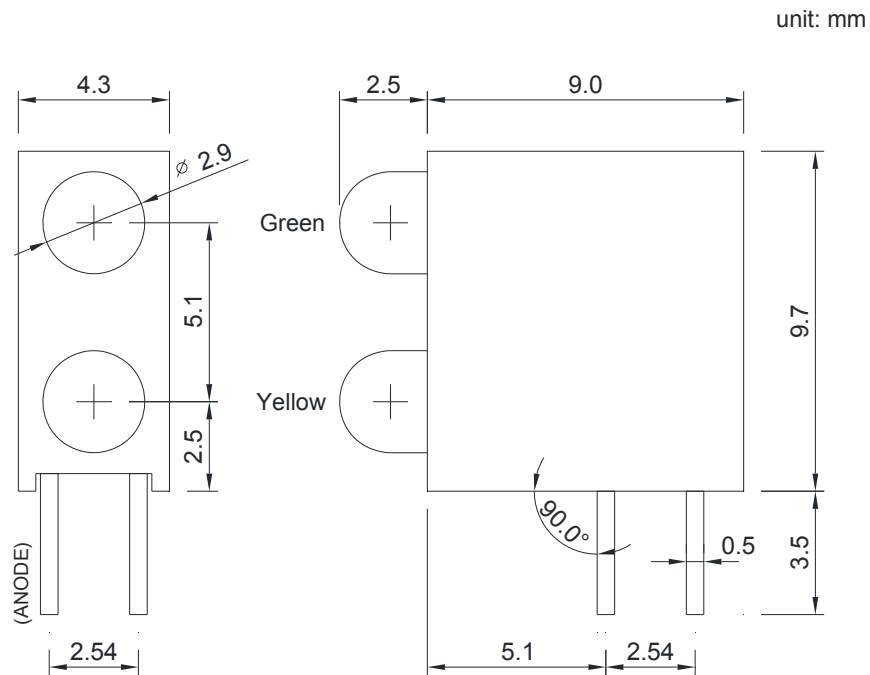
Absolute Maximum Ratings at Ta=25°C

Emitted Color	P _D (mW)	I _{FP} (mA)	I _F (mA)	T _{sol} (°C)	I _R (μ A)@V _R =5V	T _{opr} (°C)	T _{stg} (°C)
Green	60	100	25	260 \pm 5 5 sec	10	-40~+85	-40~+100
Yellow	60	100	25		10	-40~+85	-40~+100

Note: Please take note the Absolute Maximum Rating values. Any operation beyond the specified ratings in this table will result degradation of LED life-span and may cause LED to fail.

* I_{FP}: Peak Forward Current under 1/10 duty, 1KHz condition

Package Dimension:



Notes:

1. All dimensions are millimeters.
2. Dimensional tolerance is +/- 0.2mm unless otherwise specified.
3. Specifications are subject to change without notice.
4. Green LED at top position and yellow LED at bottom position