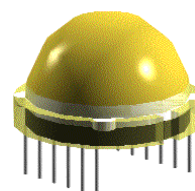


## 20mm Round PCB LED

### VT G6A6.31

#### Description

The major breakthrough in VT G6A6 series is yellow color emit. The dice used in this series is AlGaInP rather than the conventional GaP and GaAsP/GaP. The advantages of AlGaInP are low power consumption and obtaining high luminous intensity under low current driving condition.



#### Features

- High reliability LED package
- Available in full selection of colors
- Luminous intensity categorized for each tube
- High intensity under low current condition
- AllnGaP dice technology with color diffuse lens



#### Electronic Optical Characteristics (@ 20mA):

Part Number	Emitted Color	$\lambda$ (nm)		Lens Color	Iv(mcd)		View Angle (2 $\theta$ 1/2)	VF(V)	
		$\lambda$ d	$\lambda$ p		Min.	Typ.		Typ.	Max.
VT G6A6.31	Yellow 	589	591	Diffuse	35.5	65	100	2.0	2.4

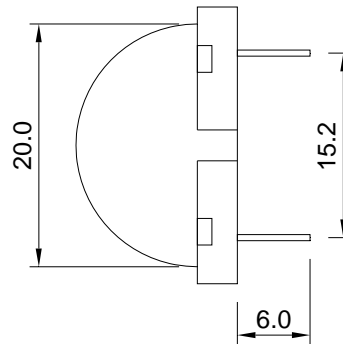
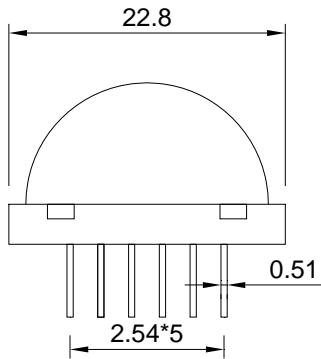
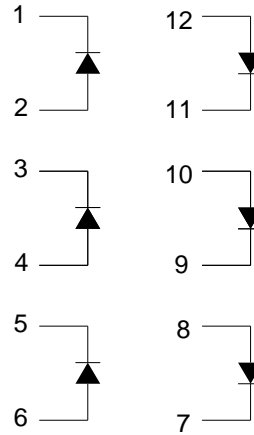
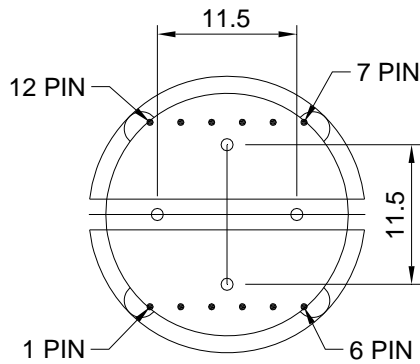
#### Absolute Maximum Ratings (@ Ta=25°C)

P <sub>D</sub> (mW)	I <sub>FP</sub> (mA)	I <sub>F</sub> (mA)	T <sub>sol</sub> (°C)	I <sub>R</sub> ( $\mu$ A)@V <sub>R</sub> =5V	T <sub>opr</sub> (°C)	T <sub>stg</sub> (°C)
60	100*	25	260 $\pm$ 5 for 5 sec.	10	-40~+85	-40~+100

Note: Please take note the Absolute Maximum Rating values. Any operation beyond the specified ratings in this table will result degradation of LED life-span and may cause LED to fail.

**Package Dimension:**

unit: mm



**Notes:**

1. All dimensions are millimeters.
2. Dimensional tolerance is +/- 0.2mm unless otherwise specified.
3. Specifications are subject to change without notice.