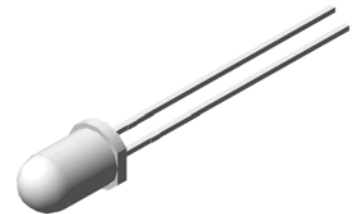


## 5mm Round 5 Volt Resistor LED

### VT 55U66

#### Description

This high brightness Green emitting LEDs are developed for the automotive and other industries or consumer product application which used 5 DC Volts sources. VT 55U66 contain an integrated resistor for current limiting in series with LED chip. This allows the LED lamp to be driven from a 5 Volts source without an external current limiter. These LED lamp are intended for space critical application such as panels, switches and other which are driven from 5 Volts source.



#### Application

- Status light cars application
- Status lights
- ON/OFF indicator in Switches
- Background illumination for switches



#### Electronic Optical Characteristics (at 5 Volts):

Part Number	Emitted Color	$\lambda$ (nm)		Lens Color	Iv(mcd)		View Angle (2 $\theta$ 1/2)	Vs(V)	
		$\lambda_d$	$\lambda_p$		Min.	Typ.		Min.	Max.
VT 55U66	Green 	573	575	Milky	100	200	40	4.8	5.8

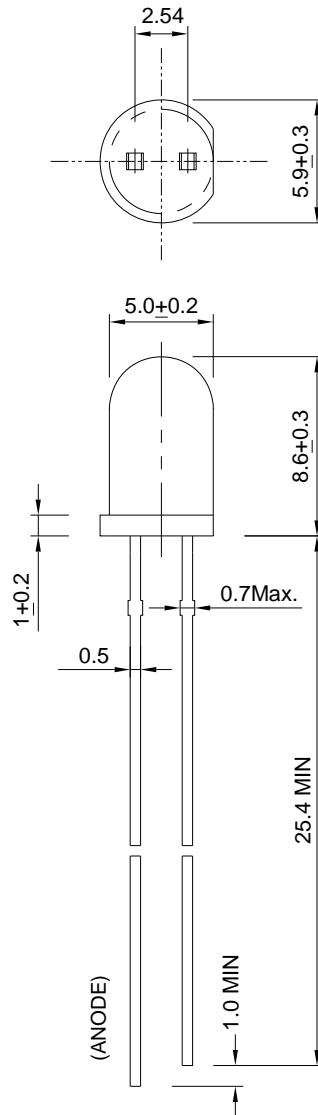
#### Absolute Maximum Ratings at Ta=25°C

Emitted Color	P <sub>D</sub> (mW)	T <sub>sol</sub> (°C)	Reverse Voltage(V)	T <sub>opr</sub> (°C)	T <sub>stg</sub> (°C)
Green	100	260±5 for 5 sec	5	-40~+85	-40~+100

Note: Please take note the Absolute Maximum Rating values. Any operation beyond the specified ratings in this table will result degradation of LED life-span and may cause LED to fail.

**Package Dimension:**

unit: mm



**Notes:**

1. All dimensions are millimeters.
2. Dimensional tolerance is +/- 0.2mm unless otherwise specified.
3. Epoxy meniscus under flange is 1.5 mm max.
4. Specifications are subject to change without notice.