

High Power LED 1 Watt 350mA

VH 8WD12

Description

These series high brightness WHITE emitting LEDs are made from the most efficient InGaN technology in High driving current (350mA). The typical optical light output is 145 lm/W and Thermal resistance (junction to lead frame) is 15 °C/W.



Applications

- Exterior and interior automotive illumination
- Commercial lighting
- Back lighting
- Traffic signaling
- Reading Light
- Commercial outdoor advertising signs



Electronic Optical Characteristics (at 350mA):

Part Number	Emitted Color	CCT(k)		Lens Color	Flux(lm)		View Angle (2θ1/2)	VF(V)	
		Min.	Max.		Min.	Typ		Min.	Max.
VH 8WD12	White	5500	6000	Clear	140	145	140	3.0	3.3

Absolute Maximum Ratings(at Ta=25°C)

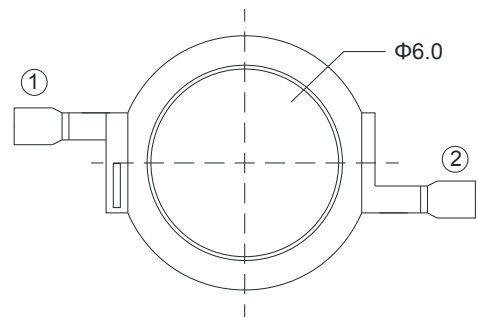
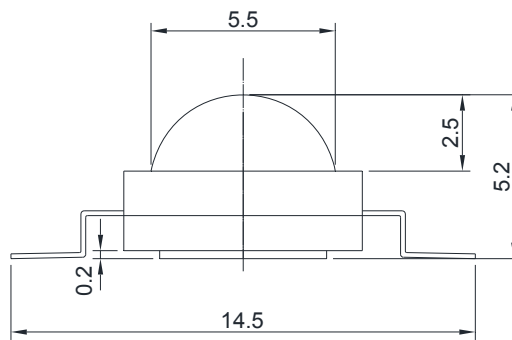
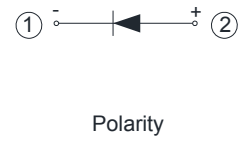
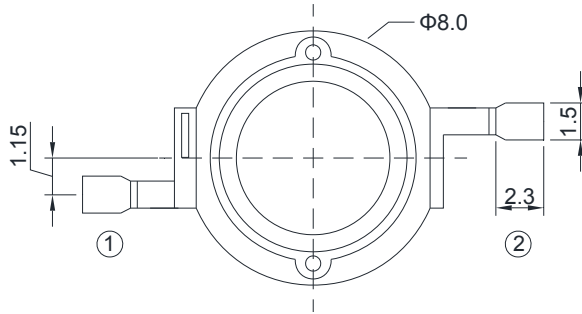
P _D (W)	R _{th} (°C/W)	I _F (mA)	I _{FP} (mA)	T _j (°C)	Topr(°C)	Tstg(°C)
1.0	8.0	350	700	120	-30~+80	-40~+80

Note: Please take note the Absolute Maximum Rating values. Any operation beyond the specified ratings in this table will result degradation of LED life-span and may cause LED to fail.

* I_{FP}: Peak Forward Current under 0.25 duty, t_p ≤ 100 usec

Package Dimension:

unit : mm


Notes:

1. All dimensions are millimeters.
2. Dimensional tolerance is +/- 0.2mm unless otherwise specified.
3. Specifications are subject to change without notice.