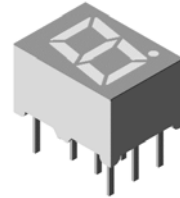


## 0.28" Single Digit Display C.C.

### VP 271CG

#### Main Features:

- Low power consumption
- High efficiency chips material
- Excellent character appearance
- Long life solid state reliability
- Common cathode configuration
- Gray color surface reflector with white diffuse segments




#### Applications

- Industry equipment
- Instruments panels
- Counter equipment
- Power meter



#### Electronic Optical Characteristics (at 10mA):

Part Number	Emitted Color	$\lambda$ (nm)		Surface Color	Iv(mcd)		VF(V)	
		$\lambda d$	$\lambda p$		Min.	Typ.	Typ.	Max.
VP 271CG	Red 	624	632	Gray	4.5	9.0	2.0	2.4

#### Absolute Maximum Ratings (at Ta=25°C)

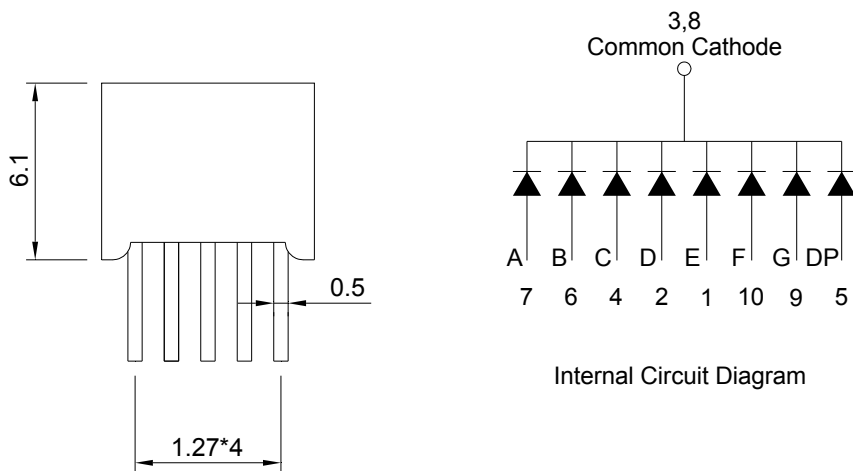
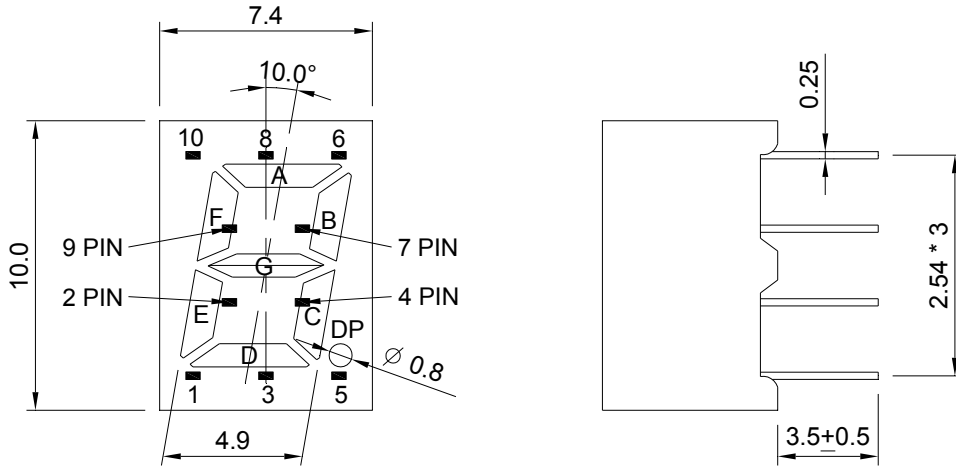
P <sub>D</sub> (mW)	I <sub>FP</sub> (mA)	I <sub>F</sub> (mA)	T <sub>sol</sub> (°C)	I <sub>R</sub> ( $\mu$ A)@V <sub>R</sub> =5V	T <sub>opr</sub> (°C)	T <sub>stg</sub> (°C)
60	100*	25	260 $\pm$ 5 for 5 sec.	10	-40~+85	-40~+100

Note: Please take note the Absolute Maximum Rating values. Any operation beyond the specify ratings in this table will result degradation of LED life-span and may cause LED to fail.

\* I<sub>FP</sub>: Peak Forward Current under 1/10 duty, 1KHz condition

**Package Dimension:**

unit: mm



**Notes:**

1. All dimensions are millimeters.
2. Dimensional tolerance is +/- 0.2mm unless otherwise specified.
3. Specifications are subject to change without notice.