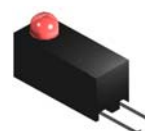


3mm LED Lamp Array

VA 1786

Main Features:

- ⊙ Low power consumption
- ⊙ Free combination on the color of LED lamps.
- ⊙ Excellent character appearance
- ⊙ Long life solid state reliability
- ⊙ Color diffused lens
- ⊙ AlGaInP technology
- ⊙ High luminous under low current driving condition




Applications

- Lighting indicator
- Status lights
- ON/OFF indicator
- Backlight illumination



Electronic Optical Characteristics (at 20mA):

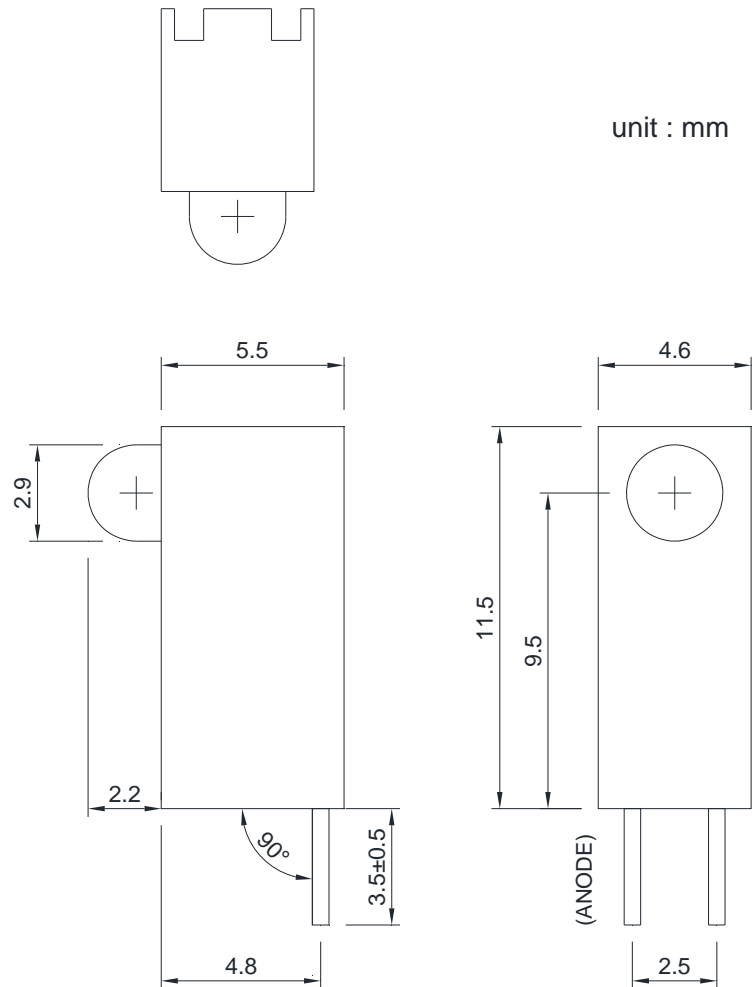
Part Number	Emitted Color	λ (nm)		Lens Color	Iv(mcd)		View Angle (2 θ 1/2)	VF(V)	
		λ d	λ p		Min.	Typ.		Typ.	Max.
VA 1786	Red 	624	632	Tinted	56	125	60	2.0	2.4

Absolute Maximum Ratings (at Ta=25°C)

P _D (mW)	I _{FP} (mA)	I _F (mA)	T _{sol} (°C)	I _R (μ A)@V _R =5V	T _{opr} (°C)	T _{stg} (°C)
60	100*	25	260 \pm 5 for 5 sec.	10	-40~+85	-40~+100

Note: Please take note the Absolute Maximum Rating values. Any operation beyond the specify ratings in this table will result degradation of LED life-span and may cause LED to fail.

* I_{FP}: Peak Forward Current under 1/10 duty, 1KHz condition

Package Dimension:

Notes:

1. All dimensions are millimeters.
2. Dimensional tolerance is +/- 0.2mm unless otherwise specified.
3. Specifications are subject to change without notice.