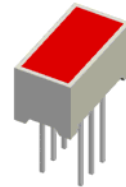


## 14.0 x 7.5mm Light Bar Display

### VB 47RDL10

#### Main Features:

- ⊙ Low power consumption
- ⊙ Free combination on the color option.
- ⊙ Excellent character appearance
- ⊙ Long life solid state reliability
- ⊙ AlGaInP technology
- ⊙ High luminous under low current driving condition




#### Applications

- Lighting indicator
- Status lights
- ON/OFF indicator
- Backlight illumination
- Front panel indicator



#### Electronic Optical Characteristics (at 20mA):

Part Number	Emitted Color	$\lambda$ (nm)		Lens Color	Iv(mcd)		View Angle (2 $\theta$ 1/2)	VF(V)	
		$\lambda$ d	$\lambda$ p		Min.	Typ.		Typ.	Max.
VB 47RDL10	Red 	624	632	Diffused	50	65	160	2.0	2.4

#### Absolute Maximum Ratings (at Ta=25°C)

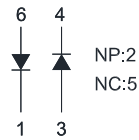
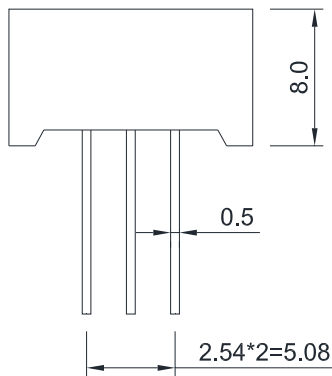
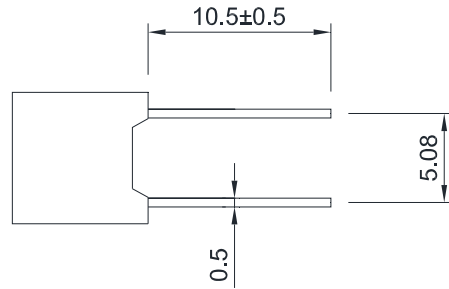
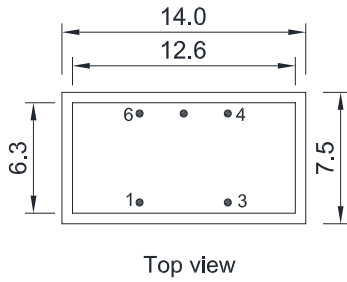
P <sub>D</sub> (mW)	I <sub>FP</sub> (mA)	I <sub>F</sub> (mA)	T <sub>sol</sub> (°C)	I <sub>R</sub> ( $\mu$ A)@V <sub>R</sub> =5V	T <sub>opr</sub> (°C)	T <sub>stg</sub> (°C)
50	100*	20	260 for 5 sec.	10	-40~+80	-40~+80

Note: Please take note the Absolute Maximum Rating values. Any operation beyond the specified ratings in this table will result degradation of LED life-span and may cause LED to fail.

\* I<sub>FP</sub>: Peak Forward Current under 1/10 duty, 0.1ms Pulse Width

**Package Dimension:**

unit: mm



- 1 CATHODE A
- 2 NO PIN
- 3 ANODE B
- 4 CATHODE B
- 5 NO CONNECTION
- 6 ANODE A

**Notes:**

1. All dimensions are millimeters.
2. Dimensional tolerance is +/- 0.3mm unless otherwise specified.
3. Specifications are subject to change without notice.