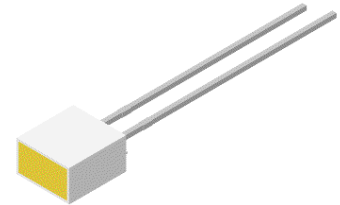


Jacket Package LED

VT R6D6.30

Description

The constructive of this series of LED are different from the dip type LED. This VT R6D6 is rectangular light source with red diffuse lens designed for a large bright source application. Such construction is very suitable to be used in high demanding reliability applications. The dice used in this series is AlGaInP rather than the conventional GaP and GaAsP/GaP. The advantages of AlGaInP are low power consumption and obtaining high luminous intensity under low current driving condition.




Applications

- Lighting indicator
- Status lights
- ON/OFF indicator
- Backlight illumination
- Front panel indicator



Electronic Optical Characteristics (at 20mA):

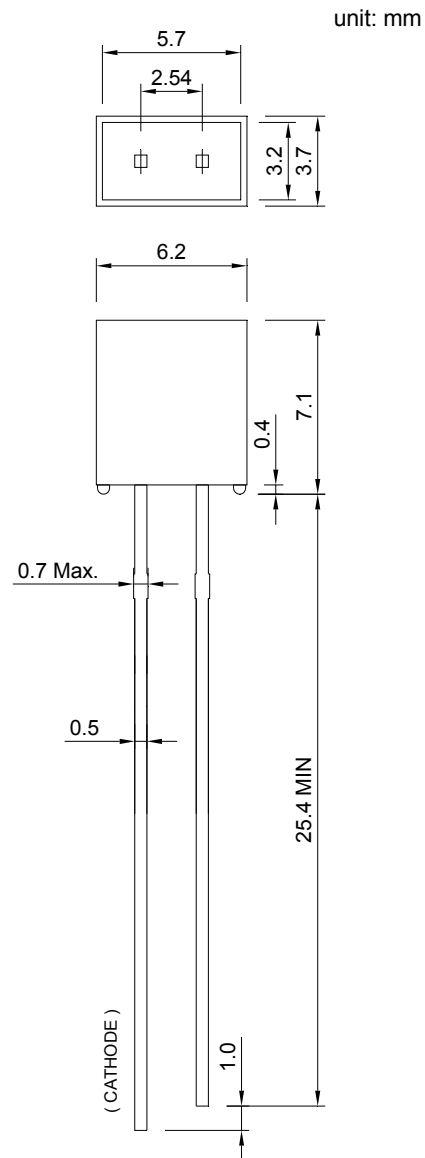
| Part Number | Emitted Color | λ (nm) | | Lens Color | Iv(mcd) | | View Angle (2 θ 1/2) | VF(V) | |
|-------------|--|----------------|-------------|------------|---------|------|-----------------------------|-------|------|
| | | λ_d | λ_p | | Min. | Typ. | | Typ. | Max. |
| VT R6D6.30 | Yellow  | 589 | 591 | Tinted | 28 | 53 | 120 | 2.0 | 2.4 |

Absolute Maximum Ratings (at Ta=25°C)

| P _D (mW) | I _{FP} (mA) | I _F (mA) | T _{sol} (°C) | I _R (μ A)@V _R =5V | T _{opr} (°C) | T _{stg} (°C) |
|---------------------|----------------------|---------------------|-----------------------|--|-----------------------|-----------------------|
| 60 | 100 | 25 | 260 \pm 5 5 sec. | 10 | -40~+85 | -40~+100 |

Note: Please take note the Absolute Maximum Rating values. Any operation beyond the specified ratings in this table will result degradation of LED life-span and may cause LED to fail.

* I_{FP}: Peak Forward Current under 1/10 duty, 1KHz condition

Package Dimension:**Notes:**

1. All dimensions are millimeters.
2. Tolerance is ± 0.2 mm unless otherwise specified.
3. Specifications are subject to change without notice.