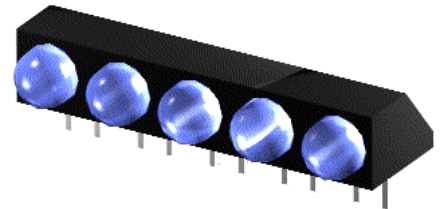


4.8mm Round LED Lamp Array 5 Pieces

VA 5226

Main Features:

- ⊙ Low power consumption
- ⊙ Free combination on the color of LED lamps.
- ⊙ Excellent character appearance
- ⊙ Long life solid state reliability
- ⊙ Color diffused lens
- ⊙ InGaN technology
- ⊙ High luminous under low current driving condition



Applications

- Lighting indicator
- Status lights
- ON/OFF indicator
- Backlight illumination
- Front panel indicator

RoHS



Electronic Optical Characteristics (at 20mA):

Part Number	Emitted Color	λ (nm)		Lens Color	Iv(mcd)		View Angle (2 θ 1/2)	VF(V)	
		λ_d	λ_p		Min.	Typ.		Typ.	Max.
VA 5226	Blue 	470	468	Diffuse	224	420	40	3.5	4.0

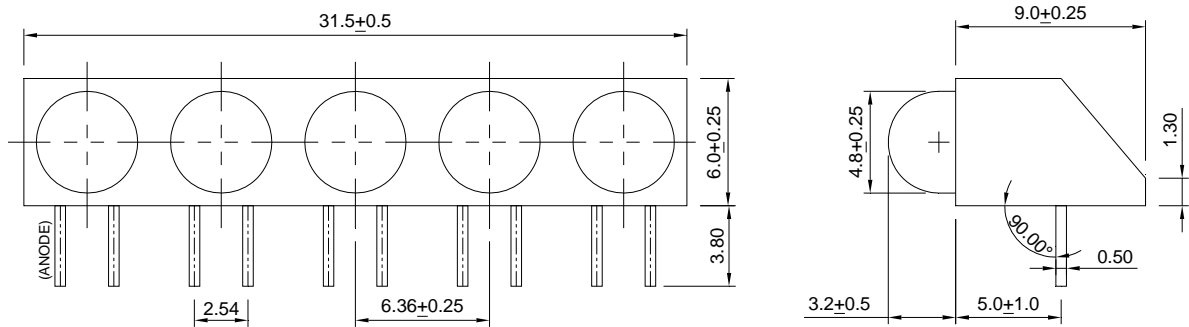
Absolute Maximum Ratings at Ta=25°C

Emitted Color	P _D (mW)	ESD(V)	I _F (mA)	T _{sol} (°C)	I _R (μ A)@V _R =5V	T _{opr} (°C)	T _{stg} (°C)
Blue (470nm)	110	150	25	260 \pm 5	50	-40~+85	-40~+100

Note: Please take note the Absolute Maximum Rating values. Any operation beyond the specified ratings in this table will result degradation of LED life-span and may cause LED to fail.

Package Dimension:

unit: mm



Notes:

1. All dimensions are millimeters.
2. Dimensional tolerance is ± 0.2 mm unless otherwise specified.
3. Specifications are subject to change without notice.