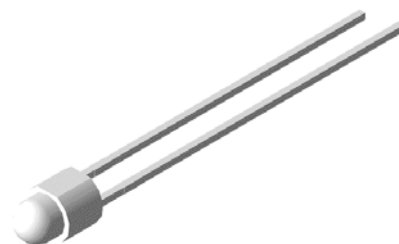


## 3.0mm Round Super Bright LED

### VT H225

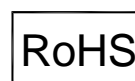
#### Description

This high brightness blue emitting LED are made from the most efficient InGaN technology. Its chip material is of InGaN technology, able to reach a high light output efficiency. These series of LED come in moisture resistance water clear lens while offering various viewing angles. Other than bulk packing, tape and reel is available. Changes in viewing angle, luminous intensity and lens color is acceptable.




#### Applications

- Lighting indicator
- Status lights
- ON/OFF indicator
- Backlight illumination



#### Electronic Optical Characteristics (at 20mA):

Part Number	Emitted Color	$\lambda$ (nm)		Lens Color	Iv(mcd)		View Angle (2 $\theta$ 1/2)	VF(V)	
		$\lambda_d$	$\lambda_p$		Min.	Typ.		Typ.	Max.
VT H225	Blue 	468	470	Clear	2240	3600	30	3.2	3.6

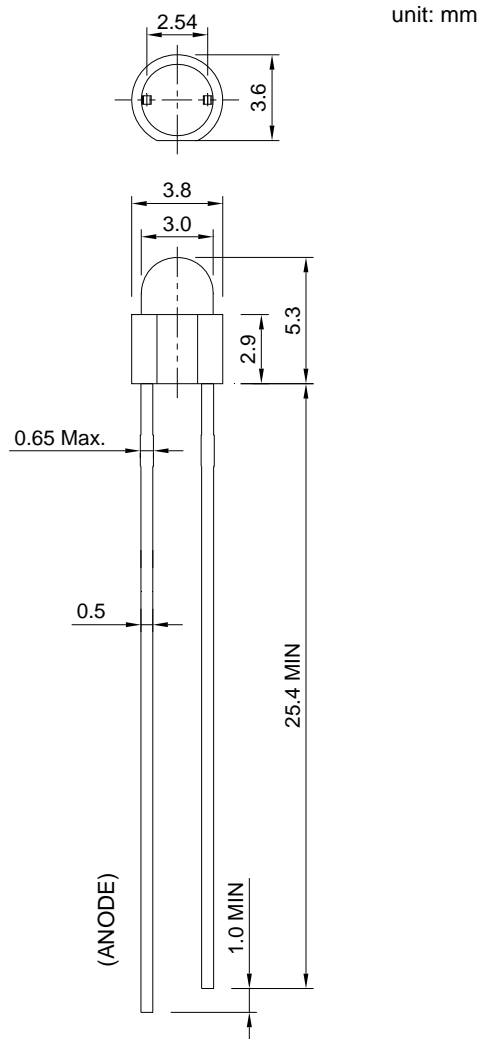
#### Absolute Maximum Ratings (at Ta=25°C)

P <sub>D</sub> (mW)	I <sub>F</sub> (mA)	I <sub>FP</sub> (mA)	T <sub>sol</sub> (°C)	I <sub>R</sub> ( $\mu$ A)@V <sub>R</sub> =5V	T <sub>opr</sub> (°C)	T <sub>stg</sub> (°C)
110	30	100	260 $\pm$ 5 fro 5 sec	50	-40~+85	-40~+100

Note: Please take note the Absolute Maximum Rating values. Any operation beyond the specified ratings in this table will result degradation of LED life-span and may cause LED to fail.

\* I<sub>FP</sub>: Peak Forward Current under 1/10 duty, 1KHz condition

**Package Dimension:**



**Notes:**

1. All dimensions are millimeters.
2. Dimensional tolerance is +/- 0.2mm unless otherwise specified.
3. Epoxy meniscus under flange is 1.5 mm max.
4. Specifications are subject to change without notice.