

0.43" Single Digit Display C.C.

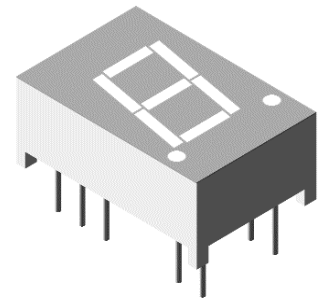
VP J71CG

Main Features:


- Low Power Consumption
- High Efficiency Chips Material
- Excellent Character Appearance
- Long Life Solid State Reliability
- Common Cathode configuration
- Gray color surface reflector with white diffuse segments

Applications

- Industry equipment
- Instruments panels
- Counter equipment



Electronic Optical Characteristics (@ 10mA):

Part Number	Emitted Color	λ (nm)		Surface Color	mcd (Per segment)		VF	
		λd	λp		Min.	Typ.	Typ.	Max.
VP J71CG	Red 	624	632	Gray	5.6	11.2	2.0	2.4

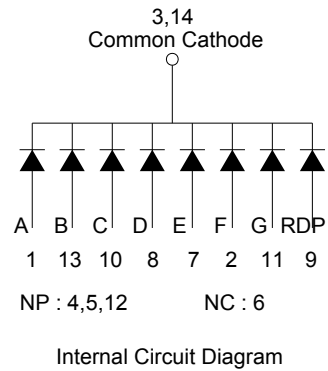
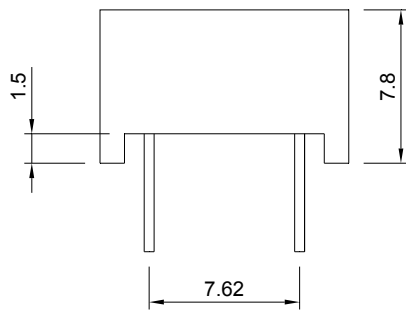
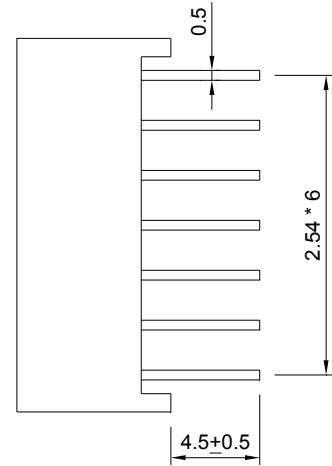
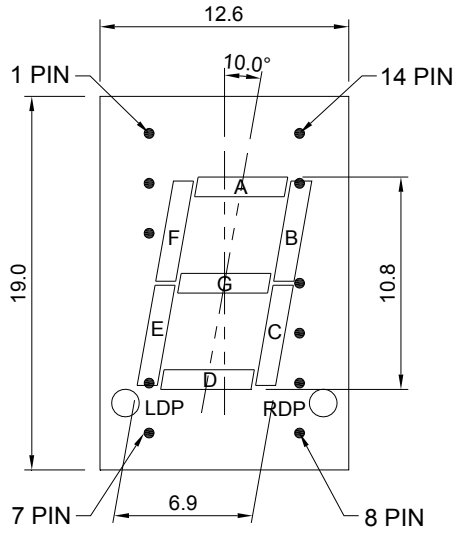
Absolute Maximum Ratings (@ Ta=25°C)

Emitted Color	P _D (mW)	I _F (mA)	ESD(V)	I _R (μ A) @VR=5V	Topr (°C)	Tstg (°C)
Red	60	25	2000	10	-40~+85	-40~+90

Note: Please take note the Absolute Maximum Rating values. Any operation beyond the specified ratings in this table will result degradation of LED life-span and may cause LED to fail.

Package Dimension:

unit: mm



Notes:

1. All dimensions are millimeters.
2. Dimensional tolerance is +/- 0.2mm unless otherwise specified.
3. Specifications are subject to change without notice.